

AL-5003-MPC-HD225XIRDK-S V1.0

2MP S+265 25x STARLIGHT 150M IR PTZ CAMERA

- Up to 1920x1080@30fps
- S+265/H.265/H.264/M-JPEG
- Min. illumination Color: 0.001Lux@F1.5
- Optical zoom: 25x, digital zoom 16x
- Smart IR, IR Range: 150m
- Plugin Free, Video Analytics
- Support ANR, Built-in 512 GB MicroSD card slot
- IP66, Surge & Voltage Protection



IR 150



ANR



PLUGINS
FREE



OBJECT
LOST



MOTION
DETECTION



PoE



TRIPWIRE



PERIMETER



STARLIGHT
0.001Lux



IP
66



SMART
DEFOG



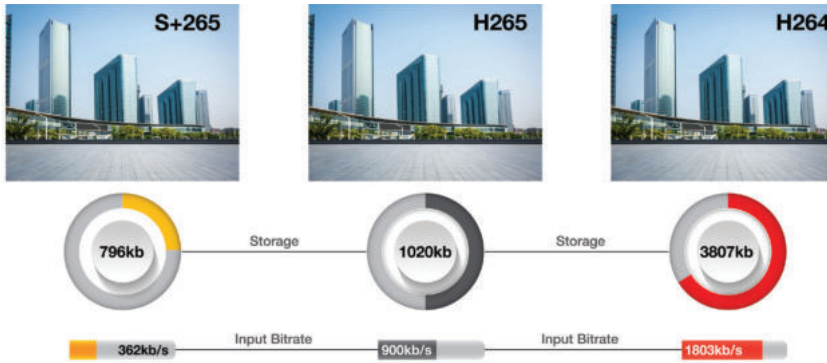
IVA



3D
DNR

OVERVIEW

The Alcon AL-5003-MPC-HD225XIRDK-S V1.0 PTZ IP Camera with Pan, Tilt and Zoom function, 120dB Super WDR, S+265 Compression with Starlight Low light Technology and Long range Array IR LED Illuminator provides high resolution images for round-the-clock surveillance over IP networks. It supports S+265/H.265/H.264/M-JPEG compression formats and delivers excellent picture quality in 2MP resolutions. It is also equipped with 4.8mm~120mm 25x Optical Zoom Lens which enables surveillance of far objects with detail. Furthermore, the IP66,(metal body)-rated housing protects against rain and dust and ensures stable operation under extreme weather conditions. IR-Cut filter and built-in Long Range Array IR LED illuminators enables the camera to provide color video in low light condition, and black/white clear video in dark conditions up to 150meters. It is an ideal solution for outdoor surveillance applications such as buildings, roads, parking areas, railway station, airports, steel and power plants and other Industrial areas ect.



S+265 can save approximate 50% bitrate than H.265 technology, saves 70%-80% bandwidth compared with H.264

LATEST COMPRESSION S+265 TECHNOLOGY

ALCON cameras and NVRS are coming with S+265 technology the compression ratio with H.265 technology 100:50....50% less storage another new gen technology circuit making it extremely durable and best suitable for Industrial type installations.

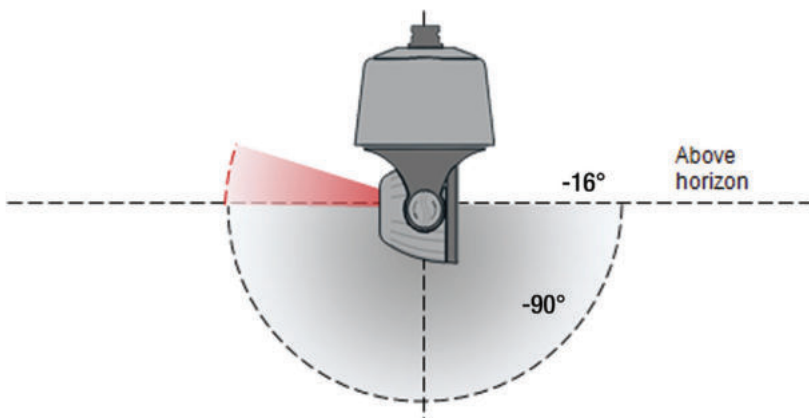
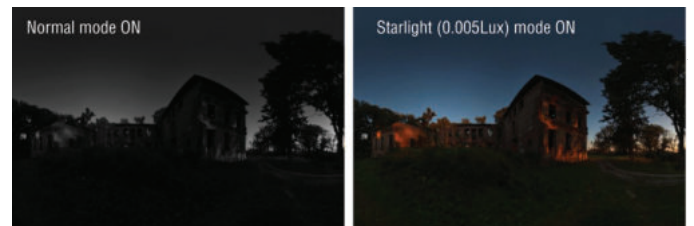
SUPERWDR (120DB)

Alcon sensor-based WDR technology allows the camera to record greater scene details with true color reproduction even under back light and high contrast conditions. The ratio that the brightest light signal values divided by the darkest light signal values is up to 120dB.



STARLIGHT TECHNOLOGY

ALCON starlight 0.001 Lux (DARK KNIGHT) series is most advance product with low light scenario with Cristal clear and color picture on Night.



SMART SUPERTILT

The Alcon 5003 Smart Enterprise IP PTZ camera series has Smart Super Tilt function. Unlike conventional IP PTZ cameras, which had 180° tilt*, Alcon 5003 Smart Enterprise IP PTZ camera series has Pan Range 360° endless Smart Super Tilt with auto flip, which gives it the ability to view 16° above horizon. This is an added advantage for mission critical applications.

SMART DEFOG

Alcon's Smart Defog image correction algorithm, improves the whole images visibility and clarity even in very foggy weather.

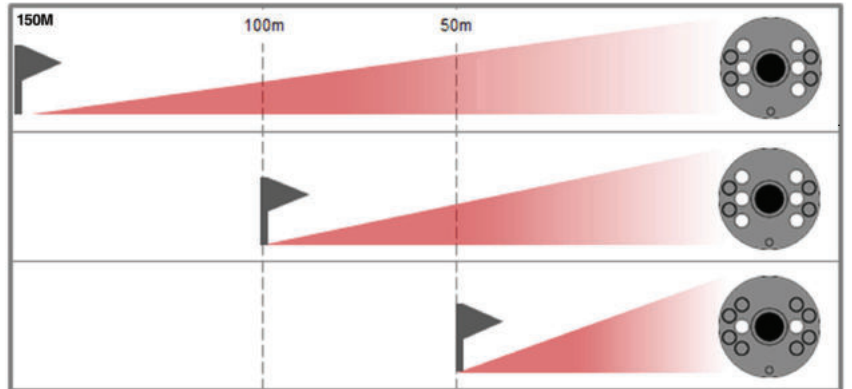


SMART TZOOMING

The Alcon AL-5003-MPC-HD225XIRDK-S V1.0 Smart Project IP Camera is equipped with 25X optical Zoom Lens through you can view far objects with minute details. It also come with 16X digital Zoom feature.

SMART ZOOM SYNCHRONIZED IR NIGHT VISION

The Alcon 5003 Smart Enterprise IP PTZ camera series comes equipped with Smart optical Zoom synchronized 5th generation Array IR LED Night vision which automatically adjusts the intensity of the IR LED with respect to zooming.



HIGH LIGHT CONTROL

Alcon HLC function is designed to allow camera capture vehicle plate license. HLC stands for Hight-light compensation, this technology is designed to optimize the brightness of images through using digital signal processing.



PRIVACY MASKING

Privacy masking is a feature found in many IP cameras which is used to protect personal privacy by concealing parts of the image from view with a masked area. Examples of this use would be masking windows of domestic properties

REGION OF INTEREST

A region of interest is a specified part of a Alcon CCTV camera view that is highlighted and broadcast to a separate stream from a camera.

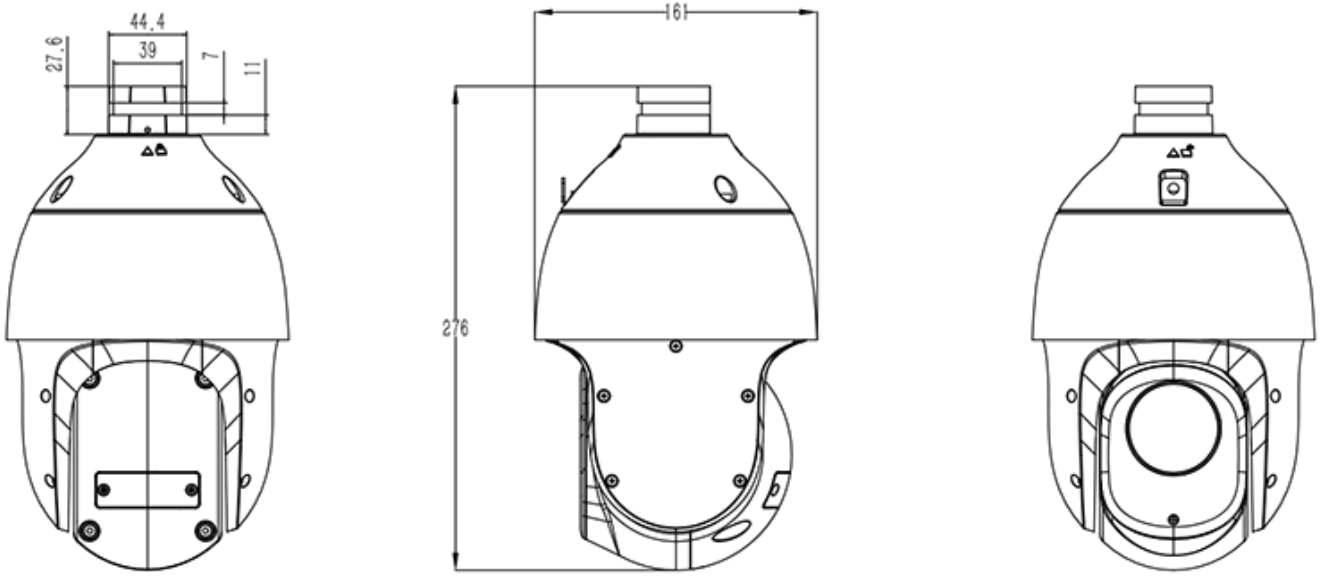


SPECIFICATION

MODEL	AL-5003-MPC-HD225XIRDK-S V1.0
Image Sensor	1/2.8" CMOS
Signal System	PAL/NTSC
Min. Illumination	Color: 0.001lux@ (F1.5, ACG ON), BW: 0lux with IR
Shutter Time	1s to 1/100,000s
Day & Night	Dual IR Cut Filter with Auto Switch
Wide Dynamic Range	120dB
Optical Zoom	25x
Digital Zoom	16x
LENS	
Focal Length	4.8mm~120mm
Zoom Speed	<4s
Angle of View	Horizontal: 58.5° (w)~2.8° (t) Vertical: 33.2° (w)~1.5° (t)
Aperture Range	F1.5~F3.8
PAN&TILT	
Pan Range	360°
Pan Speed	Pan Manual Speed: 0.1°~200°/s, Pan Preset Speed: 240°/s
Tilt Range	-16°~90° (Auto flip)
Tilt Speed	Tilt Manual Speed: 0.1°~120°/s, Tilt Preset Speed: 180°/s
3D Position	Yes(Only from software)
Presets	300
Preset Accuracy	±0.4°
Scan	8
Cruise	16, up to 32 presets per cruise
Pattern	8, each with 600s memory or 1000 orders
Power-off Memory	Yes
RS-485 Protocols	N/A
ILLUMINATOR	
IR LEDs	6
IR Range	Up to 150m
IR Irradiation Angle	Adjustable by Zoom
White LEDs	N/A
COMPRESSION STANDARD	
Video Compression	S+265/H.265/H.264/M-JPEG
Video Bit Rate	32Kbps~16Mbps
Audio Compression	G.711A/G.711U/ADPCM_D/AAC_LC
Audio Bit Rate	8K~48Kbps
IMAGE	
Max. Resolution	2.0MP (1920×1080)
Main Stream	PAL: 25fps (1920×1080, 1280×720, 704×576, 640×480) NTSC: 30fps (1920×1080, 1280×720, 704×480, 640×480)
Sub Stream	PAL: 25fps (704×576, 704×288, 640×360, 352×288) NTSC: 30fps (704×480, 704×240, 640×360, 352×240)
Image Setting	Saturation, brightness, contrast, sharpness, adjustable by client software or web browser
Image Enhancement	BLC/3D DNR/HLC
ROI	7 Dynamic Areas for Both Main and Sub Stream
OSD	16×16, 24×24,32×32, 48×48, 64×64, 96×96, adaptable size, Letters Such as Week, Date, Time, Total 5 Regions
Picture Overlay	Yes
Privacy Mask	Yes
Smart Defog	Yes

FEATURE	
Alarm Trigger	Harsh Voice Alarm, Motion Detection, Mask Alarm, Network Disable Alarm, IP Conflict, MAC Conflict Detection
Video Analytics	Tripwire, Double Tripwire, Perimeter
Early Warning(EW)	N/A
Auto-Tracking	N/A
NETWORK	
Protocols	TCP/IP, ICMP, HTTP, HTTPS, FTP, DHCP, DNS, DDNS, RTSP, PPPoE, NTP, UPnP, SMTP, IGMP, QoS, IPV4, MULTICAST
System Compatibility	ONVIF (PROFILE S/T/G), SDK, CGI, P2P
ANR	Auto store video in SD card when NVR disconnected, and upload video to NVR when resumed connection (Only Support Alcon ANR NVR)
Remote Connection	≤7
Client	Alcon Smart Surveillance, EasyLive
Web Version	web6
INTERFACE	
Communication Interface	1 RJ45 10M/100M self adaptive Ethernet port
Audio In/Out	1/0
Alarm In/Out	1/0
Speaker	N/A
Reset Button	Yes
On-board storage	Built-in MicroSD card slot, up to 512 GB
RS-485	N/A
BNC	N/A
Wiper	N/A
GENERAL	
Firmware Version	-
Web Client Language	15 languages Simple Chinese, Traditional Chinese, English, Spanish, Korean, Italian, Turkish, Russian, Thai, French, Polish, Dutch, Hebrew, Arabic, Vietnamese
Operating Conditions	-40°C~70°C (IR OFF), -40°C~40°C (IR ON), 0-95%RH
Power Supply	DC12V±10%/POE
Power Consumption	10.7W(IR OFF), 21W(IR ON)
Protection	IP66, Surge protection and voltage transient protection.
Dimensions	Φ161x276mm(Φ6.34×10.87inch)
Weight	2.9kg(6.39lb)
Certification	CE & FCC

DIMENSIONS



ORDERING INFORMATION

AL-5003-MPC-HD225XIRDK-S V1.0

2MP S+265 25x Starlight T150M IR PTZ Camera



*Product specifications and availability are subject to change without notice.