

**AL-5003-MPC-518X-EX**

# 5MP 18X Network Explosion Proof PTZ Speed Dome Camera



## Overview

Alcon specialized cameras, built for extreme environmental conditions. Designed for use in hazardous locations such as chemical plants and gas stations, our explosion-proof cameras are essential for safely monitoring processes. Safety is key, but cost-effectiveness is critical. Alcon's explosion-proof camera breaks this cycle, offering high-performance security and reliability without the price tag. Enjoy strong security without straining your budget.

## Inbuilt AI features, step ahead of threats

Smart Analytics offers better insights and faster responses with object detection and classification, crowd thresholds, man & vehicle type differentiation, face capture.

## Features

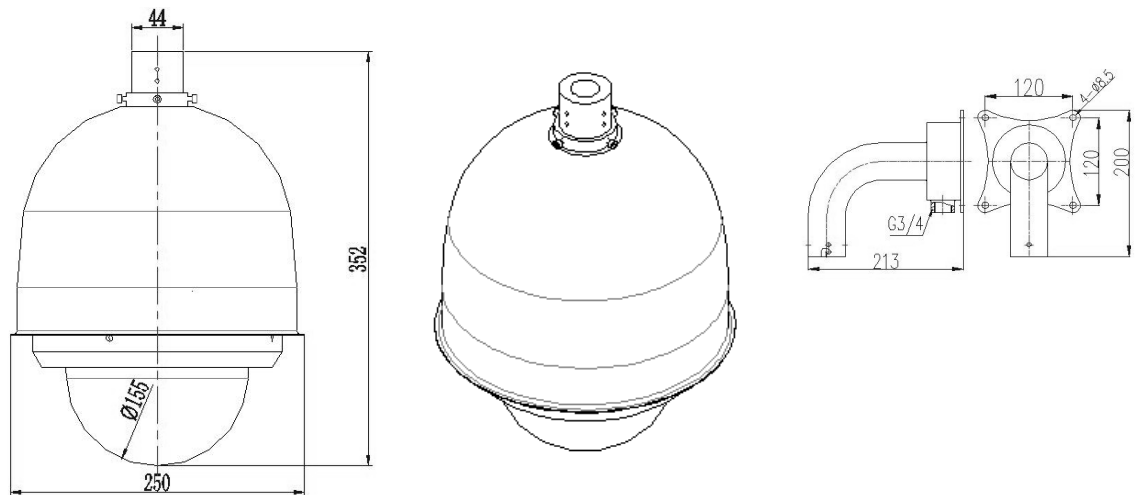
- Up to 5MP, 2592×1944
- Color: 0.01lux@ (F1.6, AGC ON), B/W: 0.00lux with IR
- H.265/H.264B/H.264M/H.264H/Motion JPEG
- Optical zoom 18X
- Support smart surveillance, detect up to faces at the same scene
- Support human/vehicle classification
- Operating conditions -25°C~60°C ≤95%RH
- IP68, PoE+

## Specification

|                          |   |
|--------------------------|---|
| <b>Camera</b>            | <b>AL-5003-MPC-518X-EX</b>  |
| Image Sensor             | 1/2.8" Progressive Scan CMOS  |
| Max. Resolution          | 5MP (2592×1944)   |
| Electronic Shutter       | Auto/Manual, 1/5 ~ 1/20,000s  |
| Min. illumination        | Color: 0.01 Lux @ (F1.6, AGC ON)  |
|                          | B/W: 0.001 Lux @ (F1.6, AGC ON)   |
| Day & Night              | IR cut filter   |
| <b>Lens</b>              |   |
| Focal Length             | 5.3 ~ 79.5mm  |
| Max. Aperture            | F1.6 ~ F2.8   |
| Angle of View            | H: 58.2° ~ 4.83°, V: 34° ~ 2.8°   |
| Optical Zoom             | 18x   |
| Digital Zoom             | 16x   |
| Focus Control            | Auto/Manual/Semi-automatic  |
| <b>PTZ</b>               |   |
| Pan/Tilt Range           | Pan: 0° ~ 360° endless, Tilt: 0° ~ +90°   |
| Pan Speed                | Pan speed: 0.1° to 200°/s, preset speed: 200°/s   |
| Tilt Speed               | Tilt speed: 0.1° to 160°/s, preset speed: 160°/s  |
| Presets                  | 300   |
| PTZ Mode                 | 6 Track, 12 Scan, 12 Patrol (up to 32 presets per patrol)   |
| Power-Off Memory         | Support   |
| 3D Positioning           | Support   |
| PTZ Status Display       | Support   |
| Idle Motion              | The time can be set (1-240 minutes), and functions such as preset positions, patrols, scans, and tracks can be run. |
| <b>Video</b>             |   |
| Streaming Capability     | 3 Streams   |
| Stream/Frame Rate        | Stream1: 2592×1944, 2560×1520, 1920×1080, 1280×720 @ 25/30fps   |
|                          | Stream2: D1, VGA, CIF @ 25/30fps  |
|                          | Stream3: VGA, CIF, QVGA @ 25/30fps  |
| Bit Rate Control         | CBR/VBR   |
| Bit Rate                 | Stream1: 200kbps~12Mbps   |
|                          | Stream2: 100kbps~6Mbps  |
|                          | Stream3: 100kbps~3Mbps  |
| Smart Encoder            | Support   |
| Region of Interest (ROI) | Support   |
| <b>Image</b>             |   |
| Image Adjustment         | Brightness/Sharpness/Contrast/Saturation adjustable   |
| Mirror                   | Support   |
| Exposure Mode            | Auto/Manual   |
| White Balance            | Auto/Manual   |
| Day/Night Setting        | Auto, Day, Night, Time  |
| Noise Reduction          | 2D/3D DNR   |
| Wide Dynamic Range       | True WDR  |
| Image Enhancement        | HLC, BLC, Defog, Anti-shake   |
| S/N Ratio                | 55dB  |
| Motion Detection         | Support   |
| Privacy Masking          | Support   |

| Audio                  |   |
|------------------------|---|
| Compression            | G.711 (8kbps), RAW_PCM (16kbps)   |
| Smart Function         |   |
| Multi-Object Detection | Support face, human, vehicle detection and capture  |
| Intelligent Analysis   | Intrusion, Single line crossing, Double line crossing, Loitering, Wrong way, Illegal Parking (the six functions support the accurate detection of vehicle and human), People counting |
| Network                |   |
| Protocols              | IPv4, IPv6, TCP / IP, HTTP, HTTPS, UPnP, RTSP / RTP / RTCP, IGMP / Multicast, SMTP, DHCP, NTP, DNS, DDNS, QoS, SNMP, 802.1X, UDP, ICMP, ARP, TLS                                      |
| Interoperability       | ONVIF, SDK, CGI   |
| Streaming Method       | Unicast   |
| Max. User Access       | 10 Users  |
| Web Viewer             | <IE11, Chrome, Firefox, Microsoft Edge  |
| Language               | English, Polish, Italian, Portuguese, Spanish, Russian, French, Czech, Hungarian. Default: English  |
| Interface              |   |
| Network Interface      | 1 × RJ-45, 10/100 Mbps self-adaptive Ethernet port  |
| Electrical             |   |
| Voltage                | DC12V/PoE (standard)<br>AC 100-240V, DC24V, AC24V (as optional)   |
| Power                  | 8-20W   |
| Mechanical             |   |
| Housing                | Stainless steel 304 or 316L   |
| IP                     | IP68  |
| Ambient                |   |
| Ambient temperature    | -25 to +60  |
| Air pressure           | 80Kpa to 106Kpa   |
| Relative Humidity      | 95% (no condensation)   |
| General                |   |
| Cable                  | integrated cable  |
| Size                   | Ø250*352mm  |
| Weight                 | 15kg  |
| Mounted                | wall, pole  |

## DIMENSIONS



## ORDERING INFORMATION

AL-5003-MPC-518X-EX

5MP Explosion-proof PTZ Camera



\*Product specifications and availability are subject to change without notice.

