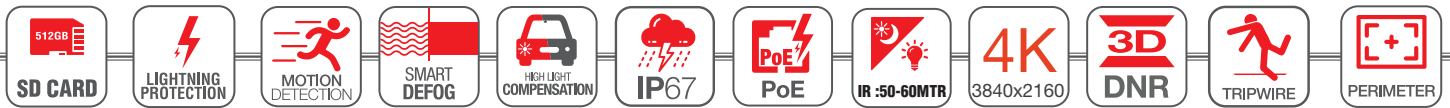


AL-5002-MPC-HD8CMDK-ES
**8MP S+265 STARLIGHT 50-60 IR
TURRET CAMERA**
Tripwire, Perimeter, SD Card slot & Lightning protection



OVERVIEW

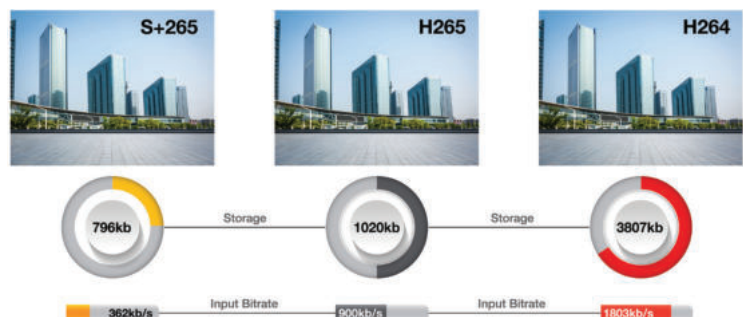
Alcon Sleek Full HD IR Turret Camera
The Alcon AL-5002-MPC-HD8CMDK-ES Fixed Lens IP Camera with IR Illuminator provides high resolution images for round-the-clock surveillance over IP networks. It supports up to S+265 compression formats and delivers excellent picture quality in 8MP 3840x2160@20fps resolutions. Furthermore, the IP67-rated housing protects against rain and dust and ensure stable operation under extreme weather conditions. IR-Cut filter and built-in IR illuminators support upto 50-60MTR IR distance. The Alcon AL-5002-MPC-HD8CMDK-ES also come with Lightning, surge and voltage transient protection which meets electromagnetic compatibility standard EN 55035:2017. It supports flexible power supply options of either Power-Over-Ethernet or adaptor power. It is an ideal solution for indoor surveillance applications such as school, college, hospital, training center, restaurant, conference hall etc.

FEATURES

- Full Metal Housing
- Up to 3840x2160@20fps
- S+265/H.265/H.264
- Min. illumination Color: 0.003Lux@F1.6
- 120dB WDR, MIC In
- Smart IR, IR Range: 50-60m
- Support tripwire and perimeter
- Built-in Mic, SD Card Slot Up to 512GB
- Operating Conditions -35°~65°, 0~95% RH
- POE, IP67, Reset Button
- Lightning, surge, and voltage protection

**LATEST COMPRESSION
S+265 TECHNOLOGY**

ALCON cameras and NVRs are coming with S+265 can save approximate 80% bitrate than H.264 technology 100:20....80% less storage another new gen technology circuit making it extremely durable and best suitable for Industrial type installations.



S+265 can save approximate 50% bitrate than H.265 technology, saves 70%-80% bandwidth compared with H.264

SUPER WDR 120DB

Commonly used D-WDR, which is a software-based technique to enhance image by adjusting the gamma value to enhance dark areas is responsible for image deterioration (i.e. the image being washed out). Alcon sensor-based WDR technology allows the camera to

record greater scene details with true color reproduction even under the extreme back light and high contrast conditions. The ratio that the brightest light signal values divided by the darkest light signal values is up to Super WDR 120dB.



HIGH LIGHT CONTROL

Alcon HLC function is designed to allow camera capture vehicle plate license. HLC stands for High-light compensation, this technology is designed to optimize the brightness of images through using digital signal processing.

SMART DE FOG

Alcon's Smart Defog image correction algorithm, improves the whole images visibility and clarity even in very foggy weather.



PRIVACY MASKING

Privacy masking is a feature found in many IP cameras which is used to protect personal privacy by concealing parts of the image from view with a masked area. Examples of this use would be masking windows of domestic properties

DIGITAL NOISE REDUCTION

Digital Noise Reduction (DNR) is a method by which the camera's imager digitally removes noise from the image. 3D DNR is an advancement of this technology which enables noise to be filtered even more effectively from the image, even in low light conditions.



ELECTROMAGNETIC PROTECTION

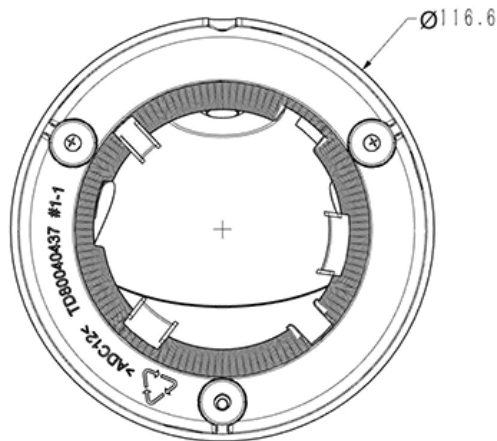
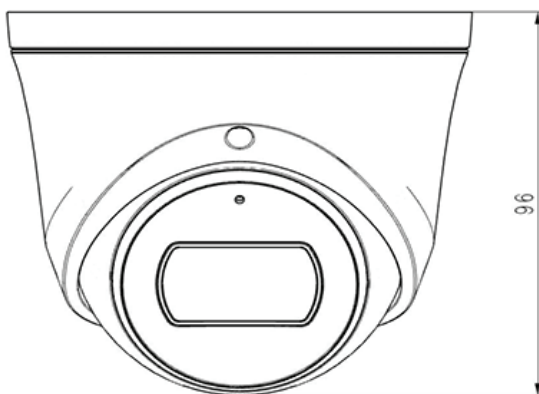
The Alcon AL-5002-MPC-HD8CMDK-ES also comes with Lightning, surge and voltage transient protection which meets electromagnetic compatibility standard EN 55035:2017. This standard protects the camera from lightning & over power.

SPECIFICATION

MODEL	AL-5002-MPC-HD8CMDK-ES
Image Sensor	1/2.8" CMOS
Signal System	PAL/NTSC
Min. Illumination	Color:0.003Lux(f1.6,ACG ON) B/W: 0Lux with IR
Shutter Time	1s to 1/100,000s
Day & Night	Dual IR Cut Filter with Auto Switch
Wide Dynamic Range	120dB
Angle Adjustment	pan 0~340°, tilt 0~75°, roate 0~360°
LENS	
Lens Type	Fixed
Focus	2.8mm
Lens Mount	M12
Aperture	F1.6, Fixed
FOV	Horizontal field of view: 96
ILLUMINATOR	
IR LEDs	2
IR Range	50-60m
Wavelength	850nm
COMPRESSION STANDARD	
Video Compression	S+265/H.265/H.264/M-JPEG
Video Bit Rate	32Kbps~16Mbps
Audio Compression	G.711A/G.711U/ADPCM/AAC
Audio Bit Rate	8K~48Kbps
IMA	
Max. Resolution	3840x2160
Main Stream	PAL: 20fps (3840x2160,3072x2048), 25fps (2560x1440, 1920x1080, 1280x720) NTSC: 20fps (3840x2160,3072x2048), 30fps (2560x1440, 1920x1080, 1280x720)
Sub Stream	PAL: 25fps (704x576, 704x288, 640x360, 352x288) NTSC: 30fps (704x480, 704x240, 640x360, 352x240)
Third Stream	PAL:25fps(1280x720, 704x576, 704x288, 352x288) NTSC:30fps(1280x720, 704x480, 704x240, 352x240)
Image Setting	Saturation, brightness, contrast, sharpness, adjustable by client software or web browser
Image Enhancement	BLC/3D DNR/HLC/Corridor Format
ROI	Support 8 fixed region of coding
Picture Overlay, Smart Defog	Yes
Privacy Mask	Yes, 8 regions 16x16, 24x24,32x32, 48x48, 64x64, 96x96, adaptable size, Letters Such as Week, Date, Time, Total 8 Regions
OSD	

FEATURE	
Alarm Trigger	Motion Detection, Mask Alarm, Disk Full, Disk R/W Error, IP Address Conflict, MAC Address Conflict, FTP Server Exception
Video Analytics	Tripwire, Perimeter
NETWORK	
ANR	Yes, auto store video in SD card when NVR disconnected, and upload video to NVR when resumed connection (Only Support Alcon ANR NVR)
Protocols	TCP/IP, ICMP, HTTP, HTTPS, DHCP, DNS, DDNS, RTP, RTSP, RTCP, PPPoE, MULTICAST, UPnP, FTP, IPV4, NTP, SMTP, IGMP, 802.1x, QoS, IPV6, ARP, UDP, SNMP, SSL, SIP, Telnet, RTMP, SFTP, NFS
System Compatibility	ONVIF (PROFILE S/T/G), SDK, P2P(Mutually exclusive with Profile G)
Remote Connection	≤7
Client	Alcon Smart Surveillance, EasyLive
Web Version	Web6
INTERFACE	
Communication Interface	1 RJ45 10M/ 100M self adaptive Ethernet port
Audio I/O	Mic in
Reset Button	Yes
On-board storage	Built-in MicroSD card slot, up to 512 GB
GENERAL	
Firmware Version	-
Web Client Language	15 languages English, Russian, Spanish, Korean, Italian, Turkish, Simple Chinese, Traditional Chinese, Thai, French, Polish, Dutch, Hebraism, Arabic, Vietnamese
Operating Conditions	-35°C~65°C, 0~95% RH
Power Supply	DC 12V±25%, PoE (802.3af)
Power Consumption	MAX: 7W (12V) MAX: 8W (PoE)
Protection	IP67, Lightning protection, surge protection and voltage transient protection meets EN 55035:2017
Dimensions	ø116.6x83.7mm (ø4.59x3.30inch)
Weight	0.4Kg (0.88lb)
Certification	CE & FCC

DIMENSIONS



ORDERING INFORMATION

AL-5002-MPC-HD8CMDK-ES

8MP S+265 Starlight 50-60M IR Turret Camera



*Product specifications and availability are subject to change without notice.