

# 5MP STARLIGHT MOTORIZED IR DOME CAMERA



## Alcon Sleek 5MP Starlight IR Dome Camera

Smart Ultra 5MP Varifocal Starlight IR Dome Camera. Alcon AL-5002-MPC-HD5MVDK-L Camera with Starlight Low Light Technology, Super WDR and S+265 Video Compression with Dual ICR is, in true sense of an Ultra Smart IP Camera that provides high resolution images for round-the-clock surveillance over IP networks. It supports S+265/H.265/H.264, MPEG-4, and JPEG compression formats and delivers excellent picture quality in 5MP resolutions. It is also equipped with a mounting bracket that conceals all cables within for easy management and waterproofing. Furthermore, the IP66-rated housing protects against dust and ensures stable operation under extreme weather conditions. IR-Cut filter & built-in IR illuminators enables the camera to provide color(0.003Lux) video in low light condition and black/white clear video in extreme dark conditions. up to 50M The Alcon AL-5002-MPC-HD5MVDK-L also comes with Lightning, surge and voltage transient protection which meets electromagnetic compatibility standard EN 55035:2017. It supports flexible power supply options of either Power-Over-Ethernet or adapter power. It is an ideal solution for outdoor and indoor surveillance applications such as buildings, roads, parking areas, railway stations and airports etc.

## Key features

- Up to 2592x1944@20fps
- S+265/H.265/H.264
- Min-illumination Colour: 0.003Lux@F1.6
- Smart IR, IR Range: Up to 50MTR
- 120dB WDR
- Tripwire & Perimeter & ANR
- Built-in Micro SD card slot, up to 512GB
- PoE, IP66, Lightning, Surge & Voltage protection

## LATEST COMPRESSION H.265+ TECHNOLOGY

ALCON cameras and NVRS are coming with S+265 can save approximate 70% bitrate than H.264 technology 100:30....70% less storage another new gen technology circuit making it extremely durable and best suitable for Industrial type installations.



### TRIPWIRE AND PERIMETER

Tripwire and Perimeter is a video analytics function that provides smart detection of events captured by a security camera that supports Tripwire and perimeter. It is a more effective way of monitoring and guarding an area of interest than simple motion detection. Alcon all camera series inbuilt tripwire and perimeter advance function.

### IN-BUILT MIC

Alcon all cameras series are coming with in-built Mic Features. Most CCTV cameras OEM products are coming without this features .where as this feature will give both Audio and video recording will be added advantages for the end user instead of only video recording.

### DIGITAL NOISE REDUCTION

Digital Noise Reduction (DNR) is a method by which the camera’s imager digitally removes noise from the image. 3D DNR is an advancement of this technology which enables noise to be filtered even more effectively from the image, even in low light conditions.

### Auto Focus

Alcon autofocus Camera is an ideal choice for surveillance and monitoring when the field of view encompasses large differences in distances of the target or the target is moving and often changes its distance to the camera. Alcon autofocus Camera lenses are zoom lenses; a variation of this type of lens is a vari-focal lens which can vary its focal length by manual adjustment and can zoom upto 5X Remotely.

### STARLIGHT TECHNOLOGY

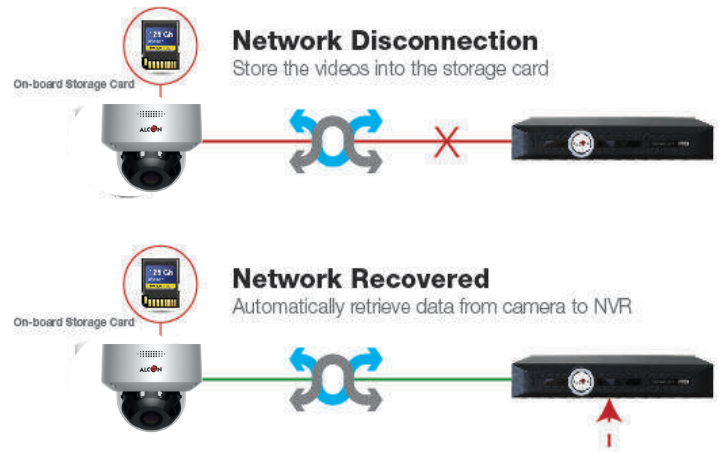
ALCON starlight 0.003Lux (DARK KNIGHT) series is most advanceproduct with low light scenario with Cristal clear and color picture on Night

### SUPER WDR (120dB)

Commonly used Digital WDR (D-WDR), which is a software-based technique to enhance image by adjusting the gamma value to enhance dark areas is responsible for image deterioration (i.e. the image being washed out). Alcon sensor-based WDR technology allows the camera to record greater scene details with true color reproduction even under the extreme back light and high contrast conditions. The ratio that the brightest light signal values divided by the darkest light signal values is up to 120dB.

### ANR FEATURES

NVRs (Network Video Recorders) with the ANR (Automatic Network Replenishment) function can automatically store video data on the IPC (Internet Protocol Camera) storage card when the network is disconnected. After recovery of the network, the NVR automatically retrieves the video data stored on the camera.



### Application



Hospital



School/ College



Office



Apartment



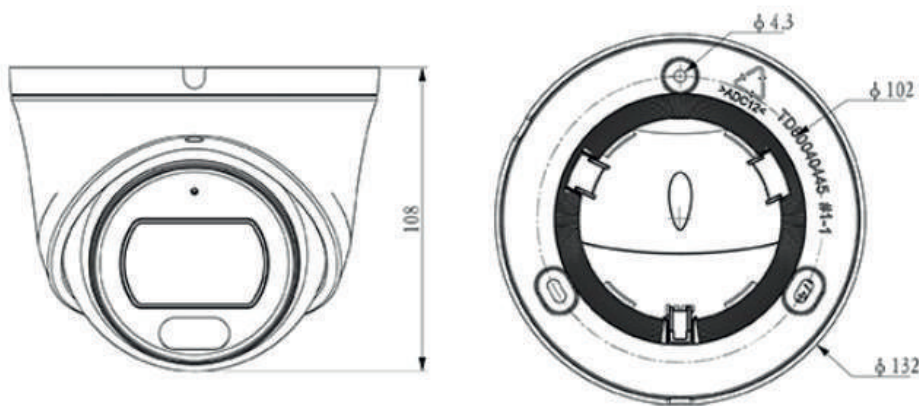
## SPECIFICATION

<b>Camera</b>	AL-5002-MPC-HD5MVDK-L
Image Sensor	1/2.8"CMOS
Min. Illumination	Color:0.003Lux@(F1.6,AGC ON),B/W:0Lux with IR
Shutter Time	1s~1/100000s
Day&Night	IR-cut filter with auto switch (ICR)
WDR	120dB
Angle Adjustment	0~360°(P); 0~90°(T); 0~360°(R)
<b>Lens</b>	
Lens Type	Motorized
Focal Length	2.7~13.5mm
Lens Mount	Φ14
Aperture Range	F1.6
Field of View	96.2°~29.2°(H); 70.3°~22°(V); 119.1°~36.6°(D)
<b>Illuminator</b>	
IR LEDs	2
IR Distance	50m
Wavelength	850nm
<b>Compression Standard</b>	
Video Compression	S+265/H.265/H.264B/H.264M/H.264H
Video Bit Rate	32k~6Mbps
Audio Compression	G.711A/G.711U/ADPCM_D
Audio Sampling Rate	8kHz/32kHz/48kHz
<b>Image</b>	
Max. Resolution	2592×1944@20fps
Main Stream	PAL:20fps(2592×1944), 25fps(2592×1520, 2560×1440, 2304×1296, 1920×1080, 1280×720) NTSC:20fps(2592×1944), 24fps(, 2592×1520, 2560×1440), 30fps(2304×1296, 1920×1080, 1280×720)
Sub Stream	PAL:25fps(704×576, 704×288, 640×360, 352×288) NTSC:30fps(704×480, 704×240, 640×360, 352×240)
BLC	Yes
HLC	Yes
AGC	Yes
3D DNR	Yes
White Balance	Auto/Semi-Auto/Manual/Sunshine/Nature Light/Warmlight Lamp/Daylight Lamp/Filament Lamp/Lock White Balance
ROI	8 rectangular static areas
OSD	Overlay of additional characters in 1 regions, 1 line, with a maximum of 48 characters or 16 Chinese characters per region; 16*16/32*32/48*48/64*64
Privacy Mask	4 black static areas
Defog	Yes
<b>Feature</b>	
Alarm Trigger	Motion Detection; Mask Alarm; Disk Full; Disk R/W Error; IP Address Conflict; Event Input, Event Output
Linkage Method	trigger recording; trigger capture; notify surveillance center
Video Analytics	Tripwire; Perimeter
<b>Network</b>	
ANR	Yes
Protocols	HTTP; HTTPS; TCP/IP; UDP; UPnP; ICMP; DHCP; DNS; DDNS; Easy DDNS; NTP; QoS; IPv4; SSH; Unicast; RTSP; FTP
System Compatibility	P2P(Mutually exclusive with Profile G); ONVIF Profile S/T/G; CGI; Milestone
Remote Connection	≤2
Client	Alcon Smart Surveillance
Mobile Client	Alcon View



Interface	
Communication Interface	1*RJ-45,10/100 Mbps self-adaptive Ethernet port
Audio I/O	1; 1
Alarm I/O	1-ch,TTL input,3mA,3.3VDC; 1-ch,TTL output,30mA,12VDC
Reset Button	Yes
On-board storage	Support microSD/microSDHC/microSDXC card, up to 512 GB
RTC	Yes
General	
Web Client Language	15 languages English/Spanish/Korean/Italian/Turkish/Russian/Thai/French/Polish/Dutch/Hebrew /Arabic/Vietnamese/German/ Ukrainian/Portuguese/Albanian
Operating Temperature	-35°C~65°C(No turning on the light)
Operating Humidity	Humidity 95% or less (no condensation)
Storage Temperature	-35°C~65°C
Storage Humidity	Humidity 95% or less (no condensation)
Power Supply	DC12V±25%,MAX 7W; POE 802.3af,MAX 8W
Protection	Surge4000V; ESD6000V; IP66
Boundary Dimensions	132(L)132(W)108.2(H)mm
Package Dimensions	180(L)170(W)130(H)mm
GrossWeight	0.9kg
Certification	FCC, CE, BIS & RoHS

## DIMENSIONS



## ORDERING INFORMATION

AL-5002-MPC-HD5MVDK-L

5MP Starlight Motorized 50M IR Dome Camera



\*Product specifications and availability are subject to change without notice.

