

# 5MP STARLIGHT MOTORIZED ENTERPRISE DOME CAMERA



## Alcon Sleek 5MP Starlight IR Dome Camera

The Alcon AL-5002-MPC-HD5MVDK-ES Motorized Varifocal IP Camera with WDR, H.265+ Video Compression and IR light Illuminator is in true sense of a Smart IP Camera that provides high resolution images for round-the-clock surveillance over IP networks. It supports H.265+/H.265/H.264, MPEG-4 and JPEG compression formats and delivers excellent picture quality in 5MP resolution. Furthermore, the IP66-rated housing protects against rain or dust and ensures stable operation under extreme weather conditions. IR-Cut filter and built-in IR illuminators enables the camera to provide color (0.001Lux) video when there is sufficient light and black/white (0Lux) clear video in dark environment. The Alcon Premium series IP camera also comes with Super WDR which allows it to maintain clear images 24 hours of a day. It supports flexible power supply options of either Power-Over-Ethernet or adaptor power. It is an ideal solution for outdoor and indoor surveillance applications such as buildings, roads, parking areas, railway stations and airports etc

## Key features

- Full Metal Housing
- Motorized Lens 2.7-13.5mm
- Up to 2592X1944@30fps
- H.265+/H.265/H.264
- Min. illumination Color: 0.001Lux@F1.6
- Smart IR, IR Range: 50M
- Support tripwire and perimeter
- Human/Vehicle Classification
- Face Capture Mode
- Built-in Mic, 512GB SD Card Slot & ANR
- Reset Button, POE & IP66, IK10
- Lightning, surge & voltage protection
- Certification: BIS, CE, FCC & RoHS

## LATEST COMPRESSION H.265+ TECHNOLOGY

ALCON cameras and NVRS are coming with H.265+ can save approximate 80% bitrate than H.264 technology 100:20...80% less storage another new gen technology circuit making it extremely durable and best suitable for Industrial type installations



### TRIPWIRE AND PERIMETER

Tripwire and Perimeter is a video analytics function that provides smart detection of events captured by a security camera that supports Tripwire and perimeter. It is a more effective way of monitoring and guarding an area of interest than simple motion detection. Alcon all camera series inbuilt tripwire and perimeter advance function.

### IN-BUILT MIC

Alcon all cameras series are coming with in-built Mic Features. Most CCTV cameras OEM products are coming without this features .where as this feature will give both Audio and video recording will be added advantages for the end user instead of only video recording.

### DIGITAL NOISE REDUCTION

Digital Noise Reduction (DNR) is a method by which the camera’s imager digitally removes noise from the image. 3D DNR is an advancement of this technology which enables noise to be filtered even more effectively from the image, even in low light conditions.

### Auto Focus

Alcon autofocus Camera is an ideal choice for surveillance and monitoring when the field of view encompasses large differences in distances of the target or the target is moving and often changes its distance to the camera. Alcon autofocus Camera lenses are zoom lenses; a variation of this type of lens is a vari-focal lens which can vary its focal length by manual adjustment and can zoom upto 5X Remotely.

### Application

### STARLIGHT TECHNOLOGY

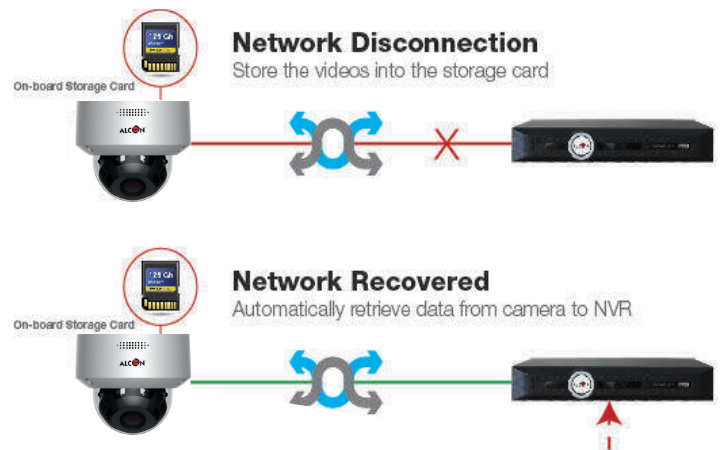
ALCON starlight 0.001Lux (DARK KNIGHT) series is most advanceproduct with low light scenario with Cristal clear and color picture on Night

### SUPER WDR (120dB)

Commonly used Digital WDR (D-WDR), which is a software-based technique to enhance image by adjusting the gamma value to enhance dark areas is responsible for image deterioration (i.e. the image being washed out). Alcon sensor-based WDR technology allows the camera to record greater scene details with true color reproduction even under the extreme back light and high contrast conditions. The ratio that the brightest light signal values divided by the darkest light signal values is up to 120dB.

### ANR FEATURES

NVRs (Network Video Recorders) with the ANR (Automatic Network Replenishment) function can automatically store video data on the IPC (Internet Protocol Camera) storage card when the network is disconnected. After recovery of the network, the NVR automatically retrieves the video data stored on the camera.



Hospital



School/ College



Office



Apartment



## SPECIFICATION

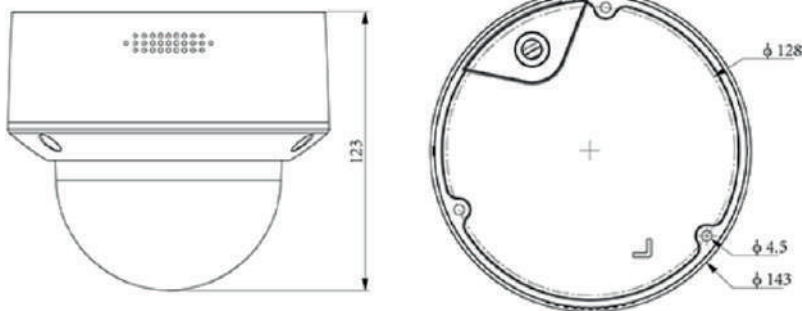
<b>Camera</b>	AL-5002-MPC-HD5MVDK-ES
<b>Image Sensor</b>	1/2.7"CMOS
<b>Min. Illumination</b>	Color:0.001Lux@(F1.6,AGC ON),B/W:0Lux with IR
<b>Shutter Time</b>	1s~1/100000s
<b>Day&amp;Night</b>	IR-cut filter with auto switch (ICR)
<b>WDR</b>	120dB
<b>Angle Adjustment</b>	0~340°(P); 0~65°(T); 0~360°(R)
<b>Lens</b>	
<b>Lens Type</b>	Motorized
<b>Focal Length</b>	2.7~13.5mm
<b>Lens Mount</b>	Φ14
<b>Aperture Range</b>	F1.6
<b>Field of View</b>	98.3°~32.2°(H); 54.9°~18.2°(V); 125.6°~37°(D)
<b>Illuminator</b>	
<b>IR LEDs</b>	2
<b>IR Distance</b>	50M
<b>Wavelength</b>	850nm
<b>Compression Standard</b>	
<b>Video Compression</b>	S+265/H.265/H.264B/H.264M/H.264H/Motion JPEG
<b>Video Bit Rate</b>	32k~16Mbps
<b>Audio Compression</b>	G.711A/G.711U/ADPCM_D/AAC_LC
<b>Audio Sampling Rate</b>	8kHz/32kHz/48kHz
<b>Image</b>	
<b>Max. Resolution</b>	2880×1620@30fps
<b>Main Stream</b>	PAL:25fps(2880×1620, 2688×1520, 2560×1440, 2304×1296) 50fps(1920×1080, 1280×720) NTSC:30fps(2880×1620, 2688×1520, 2560×1440, 2304×1296) 60fps(1920×1080, 1280×720)
<b>Sub Stream</b>	PAL:25fps(704×576, 704×288, 352×288, 640×360) NTSC:30fps(704×480, 704×240, 352×240, 640×360)
<b>Third Stream</b>	PAL:25fps(1280×720, 704×576, 640×360, 704×288, 352×288) NTSC:30fps(1280×720, 704×480, 640×360, 704×240, 352×240)
<b>BLC</b>	Yes
<b>HLC</b>	Yes
<b>AGC</b>	Yes
<b>3D DNR</b>	Yes
<b>White Balance</b>	Auto/Semi-Auto/Manual/Sunshine/Nature Light/Warmlight Lamp/Daylight Lamp/Filament Lamp/Lock White Balance
<b>ROI</b>	8 rectangular static areas
<b>Corridor mode</b>	Yes
<b>Picture Overlay</b>	1*200x200 size BMP 24 color bit image overlay
<b>Privacy Mask</b>	4 black static areas
<b>Defog</b>	Yes
<b>Feature</b>	
<b>Alarm Trigger</b>	Motion Detection; Mask Alarm; Voltage Alarm; Disk Full; Disk RW Error; IP Address Conflict; MAC Address Conflict; FTP Server Exception ; Event Input, Event Output
<b>Linkage Method</b>	send email; trigger sound; trigger recording; trigger capture; notify surveillance center
<b>Video Analytics</b>	Human/Vehicle Classification; Tripwire; Perimeter; Video Abnormal; Audio Abnormal
<b>Rules of behavior analyse in 1 scene</b>	8
<b>Face Mode</b>	Face Capture
<b>Face Detection Performance</b>	8; 4





Network	
ANR	Yes
Protocols	HTTP; HTTPS; TCP/IP; UDP; UPnP; ICMP; IGMP; SNMP; DHCP; DNS; DDNS; Easy DDNS; NTP; SMTP; SSL; 802.1X; QoS; IPv4; IPv6; PPPOE; SSH; Unicast; Multicast; RTCP; ARP; SRTP; RTSP; FTP; SFTP; NAS
System Compatibility	ONVIF Profile S/T/G/M; CGI; Milestone; RTMP
Remote Connection	≤7
Client	Alcon Smart Surveillance
Mobile Client	Alcon View
Interface	
Communication Interface	1*RJ-45,10/100 Mbps self-adaptive Ethernet port
Audio I/O	1; 1
Alarm I/O	1-ch,TTL input,3mA,3.3VDC; 1-ch,TTL output,30mA,12VDC
Reset Button	Yes
On-board storage	Support micro SD/microSDHC/microSDXC card, up to 512 GB
RTC	Yes
General	
Web Client Language	English/Spanish/Korean/Italian/Turkish/Russian/Thai/French/Polish/Dutch/Hebrew /Arabic /Vietnamese/German/Ukrainian/Portuguese/Albanian
Operating Temperature	-40°C~65°C(No turning on the light)
Operating Humidity	Humidity 95% or less (no condensation)
Storage Temperature	-40°C~65°C
Storage Humidity	Humidity 95% or less (no condensation)
Power Supply	DC12V±25%,MAX 7.5W; POE 802.3af ,MAX 8.5W
Protection	IP67,IK10, Lightning protection, surge protection and voltage transient protection meets EN 55035:2017
Boundary Dimensions	132(L)132(W)108.2(H)mm
Package Dimensions	180(L)170(W)130(H)mm
GrossWeight	0.9kg
Certification	CE , FCC, BIS & RoHS

DIMENSIONS



ORDERING INFORMATION

AL-5002-MPC-HD5MVDK-ES

5MP Starlight Motorized 50M IR Dome Camera



\*Product specifications and availability are subject to change without notice.

