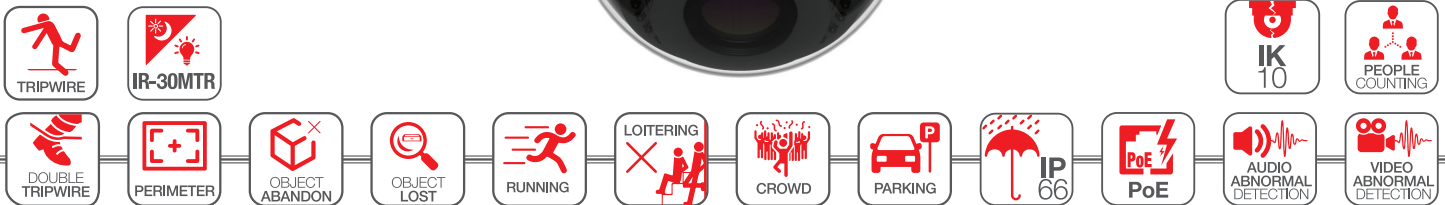


AL-5002-MPC-HD2MVUDK

# S+265 2MP SUPER STARLIGHT MOTORIZED EW DOME CAMERA

**SUPER WDR 120dB, Support Human/Vehicle Classification**



## OVERVIEW

### Smart 2MP Motorized Varifocal IK10 Super Starlight Dome Camera

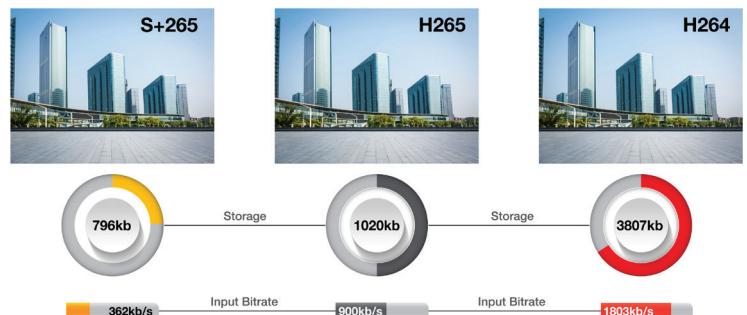
The Alcon AL-5002-MPC-HD2MVUDK Camera with Super Starlight Low Light Technology, Super WDR and S+265 Video Compression with Dual ICR is in true sense of an Ultra Smart IP Camera that provides high resolution images for round-the-clock surveillance over IP networks. It supports S+265/H.265/H.264 / MPEG-4 & JPEG compression formats and delivers excellent picture quality in 2MP resolutions. It is also equipped with IP66 & IK10 housing which protects the camera under extreme weather conditions. IR-Cut filter & built-in IR illuminators enables the camera to provide color video in extreme low light(0.0004Lux) condition and black/white clear video in extreme dark conditions. The inbuilt white light LED enables to scare off offenders from the scene. It supports flexible power supply options of either Power-Over-Ethernet or adaptor power. It is an ideal solution for indoor surveillance applications such as school, college, hospital, training center, restaurant, conference hall etc.

## FEATURES

- Up to 1920x1080@30fps
- Motorized Lens 2.8~12mm
- S+265/H.265/H.264/M-JPEG
- Min. illumination Color: 0.0004Lux@F1.0
- Early Warning, White light LED
- Support Human/Vehicle Classification
- Built-in Mic & Speaker
- MicroSD card slot, up to 128 GB
- Support ANR, WDR 120dB
- BLC/3D DNR/HLC/Corridor Format
- Smart IR, IR Range: 30m
- Operating Conditions -35°~65°, 0~95% RHG
- POE, IP66, IK10

## LATEST COMPRESSION S+265 TECHNOLOGY

ALCON cameras and NVRS are coming with S+265 can save approximate 70% bitrate than H.264 technology 100:30....70% less storage another new gen technology circuit making it extremely durable and best suitable for Industrial type installations.



S+265 can save approximate 50% bitrate than H.265 technology, saves 70%-80% bandwidth compared with H.264

## AUTO FOCUS

Alcon autofocus Camera is an ideal choice for surveillance and monitoring when the field of view encompasses large differences in distances of the target or the target is moving and often changes its distance to the camera. Alcon autofocus Camera lenses are zoom lenses; a variation of this type of lens is a vari-focal lens which can vary its focal length by manual adjustment and can zoom upto 4X Remotely.



## SUPER STARLIGHT

ALCON Super Starlight 0.0004Lux series is most advance product with low light scenario with Cristal clear and color picture on Night.

## SUPER WDR (120dB)

Commonly used Digital WDR (D-WDR), which is a software-based technique to enhance image by adjusting the gamma value to enhance dark areas is responsible for image deterioration (i.e. the image being washed out). Alcon sensor-based WDR technology allows the camera to record greater scene details with true color reproduction even under the extreme back light and high contrast conditions. The ratio that the brightest light signal values divided by the darkest light signal values is up to 120dB.



## TRIPLE STREAMING

The Alcon all Camera Series supports 3 simultaneous streams. Stream 1 for Local Recording and Viewing at full resolution, stream 2 for Remote viewing and recording over the internet and stream 3 for special applications, Smart Phones and hand held devices. Keeping in mind the growing trend of video analytics and Smart Phone applications, this feature enhances analytics and mobile viewing experience over conventional IP Camera having Dual Stream only.

## ELECTROMAGNETIC PROTECTION

The Camera also comes with Lightning, surge and voltage transient protection which meets electromagnetic compatibility standard EN 55035:2017. This standard protects the camera from lightning & over power.



## PRIVACY MASKING

Privacy masking is a feature found in many IP cameras which is used to protect personal privacy by concealing parts of the image from view with a masked area. Examples of this use would be masking windows of domestic properties

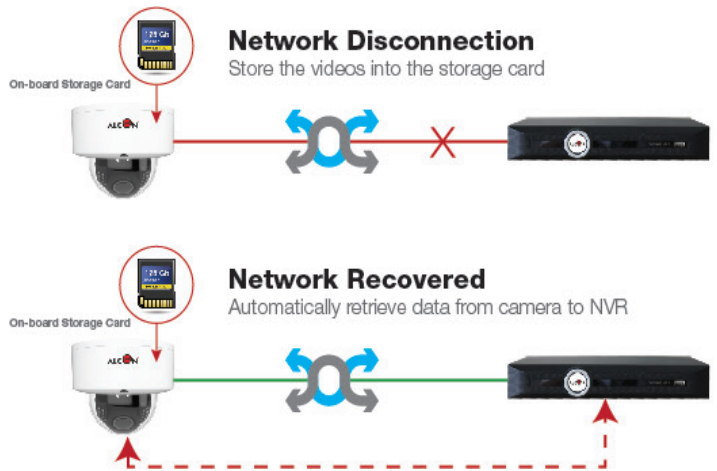


## HIGH LIGHT CONTROL

Alcon HLC function is designed to allow camera capture vehicle plate license. HLC stands for High-light compensation, this technology is designed to optimize the brightness of images through using digital signal processing.

## ANR FEATURES

NVRs (Network Video Recorders) with the ANR (Automatic Network Replenishment) function can automatically store video data on the IPC (Internet Protocol Camera) storage card when the network is disconnected. After recovery of the network, the NVR automatically retrieves the video data stored on the camera.



## REGION OF INTEREST

A region of interest is a specified part of a Alcon CCTV camera view that is highlighted and broadcast to a separate stream from a camera.

## SMART DEFOG

Alcon's Smart Defog image correction algorithm, improves the whole images visibility and clarity even in very foggy weather.



## TWO WAY AUDIO COMMUNICATION

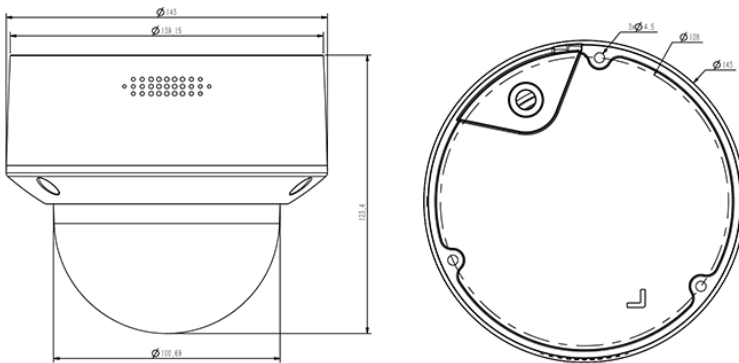
Alcon Super Starlight Camera offers Interface Built-in Speaker Mic two way audio communication upgraded with new codec, the microphone voice is clearer, and latest trend.

**SPECIFICATION**

MODEL	AL-5002-MPC-HD2MVUDK
Image Sensor	1/2.8" CMOS
Signal System	PAL/NTSC
Min. Illumination	Color: 0.0004Lux@ (F1.0, ACG ON), B/W: 0Lux with IR
Shutter Time	1s to 1/100,000s
Day & Night	Dual IR Cut Filter with Auto Switch
Wide Dynamic Range	120dB
LENS	
Lens Type	Motorized
Focus	2.8~12mm
Lens Mount	Ø14
Aperture	F1.3~F2.2, DC Drive
FOV	Horizontal field of view: 100°~35.5°
ILLUMINATOR	
IR LEDs	14
IR Range	Up to 30m
Wavelength	850nm
White LEDs	4
COMPRESSION STANDARD	
Video Compression	S+265/H.265/H.264/M-JPEG
Video Bit Rate	32 Kbps to 16 Mbps
Audio Compression	G.711A/G.711U/ADPCM/AAC
Audio Bit Rate	8K~48Kbps
IMAGE	
Max. Resolution	1920×1080
Main Stream	PAL: 25fps (1920×1080, 1280×960, 1280×720)
	NTSC: 30fps (1920×1080, 1280×960, 1280×720)
Sub Stream	PAL: 25fps (704×576, 704×288, 640×360, 352×288)
	NTSC: 30fps (704×480, 704×240, 640×360, 352×240)
Third Stream	4CIF
Image Setting	Saturation, brightness, contrast, sharpness, adjustable by client software or web browser
Image Enhancement	BLC/3D DNR/HLC/Corridor Format
ROI	Support 7 fixed region of coding
OSD	16×16, 24×24, 32×32, 48×48, 64×64, 96×96, adaptable size, Letters Such as Week, Date, Time, Total 5 Regions
Picture Overlay	Yes
Private Mask	Yes
Smart Defog	Yes

FEATURE	
Alarm Trigger	Event Input, Event Output, Motion Detection, Mask Alarm, Disk Full, Disk R/W Error, IP Address Conflict, MAC Address Conflict, FTP Server Exception
Video Analytics	Tripwire, Double Tripwire, Perimeter, Object Abandon, Object Lost, Loitering, Running, Parking, Video Abnormal, Audio Abnormal, Face Detection, Demographics
Early Warning(EW)	Yes
Smart Codec	N/A
Smart Image	N/A
Smart Alarm	N/A
NETWORK	
ANR	Yes, auto store video in SD card when NVR disconnected, and upload video to NVR when resumed connection (Only Support Alcon ANR NVR)
Protocols	TCP/IP, ICMP, HTTP, HTTPS, DHCP, DNS, DDNS, MULTICAST, UPnP, FTP, IPV4, NTP, RTSP, SMTP, IGMP, 802.1X, QoS, PPPoE
System Compatibility	ONVIF (PROFILE S), SDK, CGI, P2P
Remote Connection	≤7
Client	Alcon Smart Surveillance, EasyLive
Web Version	Web6
INTERFACE	
Communication Interface	1 RJ45 10M/100M self adaptive Ethernet port
Audio	1/1, Mic in
Alarm	2/1
Reset Button	Yes
On-board storage	Built-in MicroSD card slot, up to 128 GB
GENERAL	
Firmware Version	NVSS_V14.0.6.20180928
	12 languages
Web Client Language	English, Russian, Spanish, Korean, Italian, Turkish, Simple Chinese, Traditional Chinese, Thai, French, Polish, Dutch
Operating Conditions	-35°C~65°C, 0~95% RH
Power Supply	DC12V±20%/PoE
Power Consumption	MAX: 9.5W(12V) MAX: 11.02W(POE)
Protection	IP66, IK10
Heater	N/A
Dimensions	Φ143×124 mm (Φ5.63"×4.88 inch)
Weight	0.95kg (2.09lb)
Certification	CE & FCC

**DIMENSIONS**



**ORDERING INFORMATION**

AL-5002-MPC-HD2MVUDK

S+265 2MP Super Starlight Motorized EW DOME Camera



\*Product specifications and availability are subject to change without notice.

