

AL-5002-MPC-HD2MVDK-S

# S+265 STARLIGHT MOTORIZED 50M IR DOME CAMERA

SD Card slot & Lightning protection



## OVERVIEW

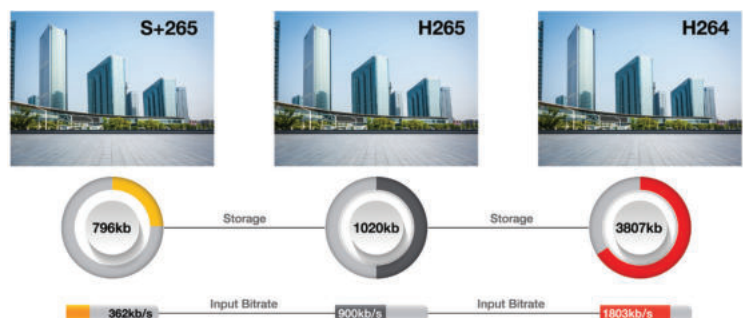
Alcon Full HD Starlight IR Varifocal Smart Audio Dome Camera The Alcon AL-5002-MPC-HD2MVDK-S Fixed Lens IP Camera with IR Illuminator provides high resolution images for round-the-clock surveillance over IP networks. It supports up to S+265 compression formats and delivers excellent picture quality in Full-HD 1920x1080p@30fps resolutions. Furthermore, the IP66 and IK10 rated housing protects against rain and dust and ensure stable operation under extreme weather conditions. IR-Cut filter and built-in IR illuminators support upto 50 MTR IR distance. The Alcon AL-5002-MPC-HD2MVDK-S also come with Lightning, surge and voltage transient protection which meets electromagnetic compatibility standard EN 55035:2017. It supports flexible power supply options of either Power-Over-Ethernet or adaptor power. It is an ideal solution for indoor surveillance applications such as school, college, hospital, training center, restaurant, conference hall etc.

## FEATURES

- Motorized Lens 2.7-13.5mm
- Up to 1920x1080@30fps
- S+265/H.265/H.264/M-JPEG
- Min. illumination Color: 0.001Lux@F1.6
- Smart IR, IR Range: 50m
- Support Video Analytics, Full Metal Housing
- Built-in Mic, audio I/O 1/1, alarm I/O 2/1
- Plugin Free, Support ANR
- Built-in Micro SD card slot, up to 512 GB
- POE, IP66, IK10
- Lightning & surge protection

## LATEST COMPRESSION S+265 TECHNOLOGY

ALCON cameras and NVRS are coming with S+265 can save approximate 80% bitrate than H.264 technology 100:20....80% less storage another new gen technology circuit making it extremely durable and best suitable for Industrial type installations.



S+265 can save approximate 50% bitrate than H.265 technology, saves 70%-80% bandwidth compared with H.264

## SUPER WDR 120dB

Commonly used D-WDR, which is a software-based technique to enhance image by adjusting the gamma value to enhance dark areas is responsible for image deterioration (i.e. the image being washed out). Alcon sensor-based WDR technology allows the camera to record greater scene details with true color reproduction even under the extreme back light and high contrast conditions. The ratio that the brightest light signal values divided by the darkest light signal values is up to 120dB.

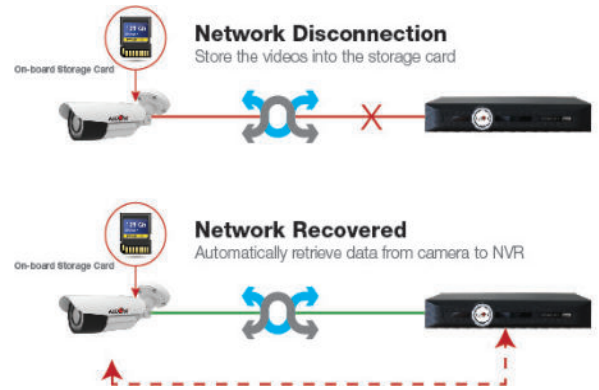


## HIGH LIGHT CONTROL

Alcon HLC function is designed to allow camera capture vehicle plate license. HLC stands for Hight-light compensation, this technology is designed to optimize the brightness of images through using digital signal processing.

## ANR FEATURES

NVRs (Network Video Recorders) with the ANR (Automatic Network Replenishment) function can automatically store video data on the IPC (Internet Protocol Camera) storage card when the network is disconnected. After recovery of the network, the NVR automatically retrieves the video data stored on the camera.

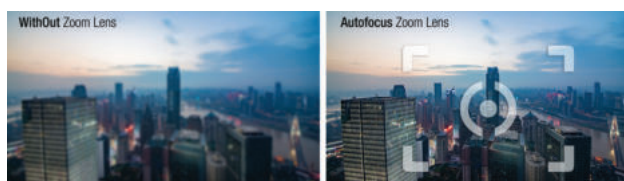


## DIGITAL NOISE REDUCTION

Digital Noise Reduction (DNR) is a method by which the camera's imager digitally removes noise from the image. 3D DNR is an advancement of this technology which enables noise to be filtered even more effectively from the image, even in low light conditions.

## ELECTROMAGNETIC PROTECTION

The Alcon AL-5001-MPC-HD2MVDK-S also comes with Lightning, surge and voltage transient protection which meets electromagnetic compatibility standard EN 55035:2017. This standard protects the camera from lightning & over power.



## AUTO FOCUS

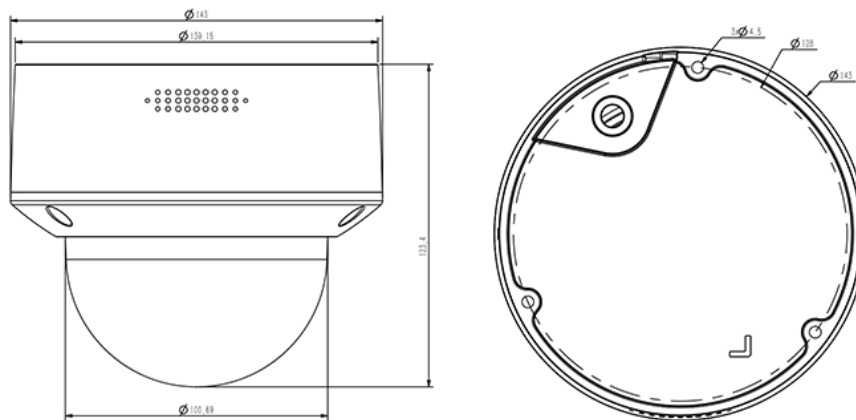
Alcon autofocus Camera is an ideal choice for surveillance and monitoring when the field of view encompasses large differences in distances of the target or the target is moving and often changes its distance to the camera. Alcon autofocus Camera lenses are zoom lenses; a variation of this type of lens is a vari-focal lens which can vary its focal length by manual adjustment and can zoom upto 5X Remotely.

## SPECIFICATION

MODEL	AL-5002-MPC-HD2MVDK-S
Image Sensor	1/2.7" CMOS
Signal System	PAL/NTSC
Min. Illumination	Color: 0.001Lux@ (F1.6, ACG ON), B/W: 0Lux with IR
Shutter Time	1s to 1/100,000s
Day & Night	Dual IR Cut Filter with Auto Switch
Wide Dynamic Range	120dB
Angle Adjustment	pan 0~330°, tilt 0~75°, roate 0~350°
LENS	
Lens Type	Motorized
Focus	2.7-13.5mm
Lens Mount	Φ14
Aperture	F1.6~F3.3, Fixed
FOV	Horizontal field of view: 101°~25°
ILLUMINATOR	
IR LEDs	18
IR Range	Up to 50m
Wavelength	850nm
White/Warmlight LEDs	N/A
COMPRESSION STANDARD	
Video Compression	S+265/H.265/H.264/M-JPEG
Video Bit Rate	32Kbps~16Mbps
Audio Compression	G.711A/G.711U/ADPCM_D/AAC_LC
Audio Bit Rate	8K~48Kbps
IMAGE	
Max. Resolution	1920x1080
Main Stream	PAL: 25fps (1920×1080, 1280×720, 704×576, 640×480) NTSC: 30fps (1920×1080, 1280×720, 704×480, 640×480)
Sub Stream	PAL: 25fps (704×576, 704×288, 640×480, 352×288) NTSC: 30fps (704×480, 704×240, 640×480, 352×240)
Third Stream	PAL: 25fps(704x576, 704x288, 352x288) NTSC: 30fps(704x480, 704x240, 352x240)
Image Setting	Saturation, brightness, contrast, sharpness, adjustable by client software or web browser
Image Enhancement	BLC/3D DNR/HLC/Corridor Format
ROI	Support 8 fixed regions of coding
OSD	16×16, 24×24, 32×32, 48×48, 64×64, adaptable size, Letters Such as Week, Date, Time, Total 8 Regions
Picture Overlay, Smart Defog	Yes
Privacy Mask	Yes, 8 regions

FEATURE	
Alarm Trigger	Event Input, Event Output, Motion Detection, Mask Alarm, Disk Full, Disk R/W Error, IP Address Conflict, MAC Address Conflict, FTP Server Exception
Video Analytics	Tripwire, Perimeter,
NETWORK	
ANR	Yes, auto store video in SD card when NVR disconnected, and upload video to NVR when resumed connection (Only Support Alcon ANR NVR)
Protocols	TCP/IP, ICMP, HTTP, HTTPS, DHCP, DNS, DDNS, RTP, RTSP, RTCP, PPPoE, MULTI - CAST, UPnP, FTP, IPV4, NTP, SMTP, IGMP, 802.1x, QoS, IPV6, ARP, UDP, SNMP, SSL, SIP, Telnet, SNMP, RTMP, SFTP, NFS
System Compatibility	ONVIF (PROFILE S/T/G), SDK, Milestone, CGI, P2P
Remote Connection	≤7
Client	Alcon Smart Surveillance, EasyLive
Web Version	Web6
INTERFACE	
Communication Interface	1 RJ45 10M/ 100M self adaptive Ethernet port
Audio	1/1, Mic in
Alarm	2/1
Reset Button	Yes
On-board storage	Built-in Micro SD card slot, up to 512 GB
GENERAL	
Firmware Version	-
Web Client Language	15 languages English, Russian, Spanish, Korean, Italian, Turkish, Simple Chinese, Traditional Chinese, Thai, French, Polish, Dutch, Hebraism, Arabic, Vietnamese
Operating Conditions	-35°C~65°C, 0~95% RH
Power Supply	DC12V±25%/PoE
Power Consumption	MAX: 7.5W (12V) MAX: 9W (PoE)
Protection	IP66, IK10, Lightning protection, surge protection and voltage transient protection meets EN 55035:2017
Dimensions	ø143×124mm (ø5.63×4.88inch)
Weight	0.95Kg (2.09lb)
Certification	BIS, CE & FCC

## DIMENSIONS



Unit: mm

## ORDERING INFORMATION

AL-5002-MPC-HD2MVDK-S

S+265 Starlight Motorized 50M IR Dome Camera



\*Product specifications and availability are subject to change without notice.