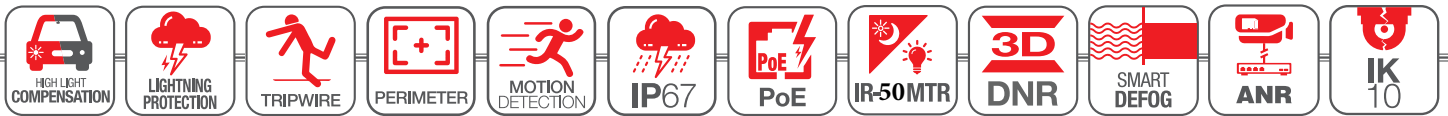


AL-5002-MPC-HD2MV

2MP S+265 MOTORIZED IR DOME CAMERA

Tripwire, Perimeter, Lightning protection & ANR



OVERVIEW

Full HD Auto Focus Indoor Dome Camera

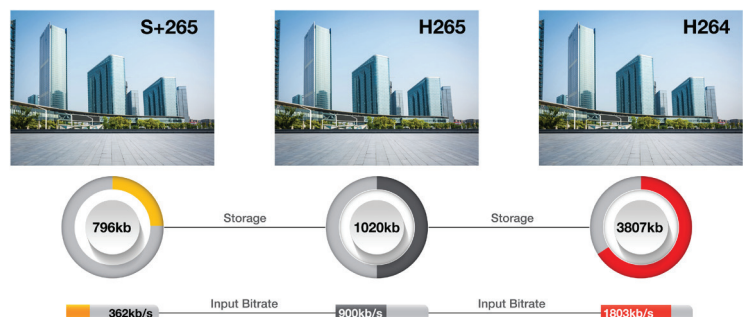
The Alcon AL-5002-MPC-HD2MV Motorized Varifocal IP Camera with WDR, S+265 Video Compression and IR light Illuminator is in true sense of a Smart IP Camera that provides high resolution images for round-the-clock surveillance over IP networks. It supports S+265/H.265/H.264, MPEG-4 and JPEG compression formats and delivers excellent picture quality in 1920x1080P resolution. Furthermore, the IP67 & IK10 rated housing protects the camera under extreme weather condition. IR-Cut filter and built-in IR illuminators enables the camera to provide color 0.02 Lux video when there is sufficient light and black/white (0Lux) clear video in dark environment. The Alcon Premium series IP camera also comes with WDR which allows it to maintain clear images 24 hours of a day. It supports flexible power supply options of either Power-Over-Ethernet or adaptor power. It is an ideal solution for indoor surveillance applications such as schools, collages, shopping malls, parking areas, garages, railway stations and airports etc.

FEATURES

- Full Metal Housing
- Motorized Lens 2.8-12mm
- Up to 1920x1080@30fps
- S+265/H.265/H.264
- Min. illumination Color: 0.02Lux@F1.6
- Smart IR, IR Range: 30-50m
- Support tripwire and perimeter
- Built-in Mic, 512GB SD Card Slot & ANR
- Operating Conditions -35°~65°, 0~95% RH
- Reset Button, POE, IP67 & IK10
- Lightning, surge & voltage protection
- Certification: BIS, CE & FCC

LATEST COMPRESSION S+265 TECHNOLOGY

ALCON cameras and NVRS are coming with S+265 can save approximate 50% bitrate than H.265 technology 100:50...50% less storage another new gen technology circuit making it extremely durable and best suitable for Industrial type installations.



S+265 can save approximate 50% bitrate than H.265 technology, saves 70%-80% bandwidth compared with H.264

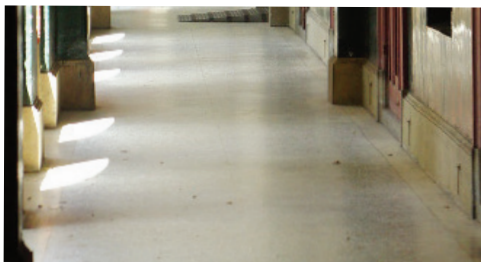


AUTO FOCUS

Alcon autofocus Camera is an ideal choice for surveillance and monitoring when the field of view encompasses large differences in distances of the target or the target is moving and often changes its distance to the camera. Alcon autofocus Camera lenses are zoom lenses; a variation of this type of lens is a vari-focal lens which can vary its focal length by manual adjustment and can zoom upto 4X Remotely.

SMART DEFOG

Alcon's Smart Defog image correction algorithm, improves the whole images visibility and clarity even in very foggy weather.



CORRIDOR MODE

In a vertically shaped scene such as a corridor, a horizontally shaped image could result in pixel wastage. With Alcon's Corridor Mode or Rotate mode, the video capture aspect can be rotated without physically rotating the camera.

ELECTROMAGNETIC PROTECTION

The Camera also comes with Lightning, surge and voltage transient protection which meets electromagnetic compatibility standard EN 55035:2017. This standard protects the camera from lightning & over power.

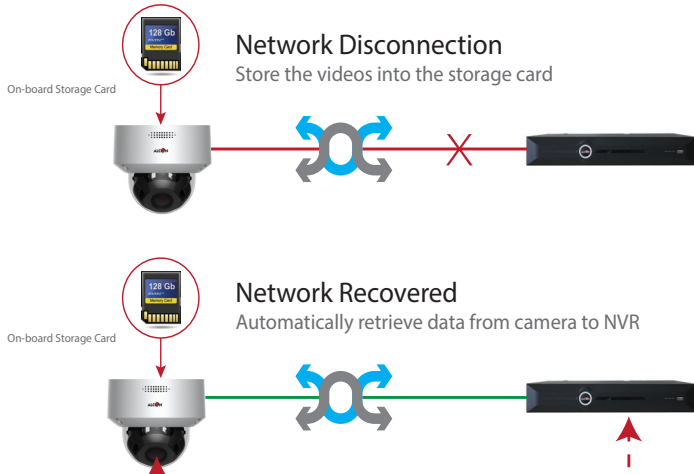


PRIVACY MASKING

Privacy masking is a feature found in many IP cameras which is used to protect personal privacy by concealing parts of the image from view with a masked area. Examples of this use would be masking windows of domestic properties

HIGH LIGHT CONTROL

Alcon HLC function is designed to allow camera capture vehicle plate license. HLC stands for Hight-light compensation, this technology is designed to optimize the brightness of images through using digital signal processing.



ANR FEATURES

NVRs (Network Video Recorders) with the ANR (Automatic Network Replenishment) function can automatically store video data on the IPC (Internet Protocol Camera) storage card when the network is disconnected. After recovery of the network, the NVR automatically retrieves the video data stored on the camera.

REGION OF INTEREST

A region of interest is a specified part of a Alcon camera view that is highlighted and broadcast to a separate stream from a camera.

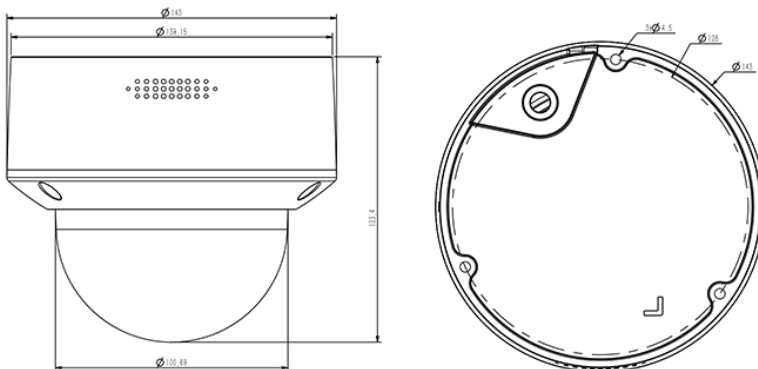


SPECIFICATION

MODEL	AL-5002-MPC-HD2MV
Image Sensor	1/2.9" CMOS
Signal System	PAL/NTSC
Min. Illumination	Color: 0.02Lux@ (F1.6, ACG ON), B/W: 0Lux with IR
Shutter Time	1s to 1/100,000s
Day & Night	Dual IR Cut Filter with Auto Switch
Wide Dynamic Range	Digital WDR
Angle Adjustment	pan 0~330°, tilt 0~75°, rotate 0~350°
LENS	
Lens Type	Motorized
Focus	2.8-12mm
Lens Mount	φ14
Aperture	F1.6~F3.3, Fixed
FOV	Horizontal field of view: 98°~28°
ILLUMINATOR	
IR LEDs	18
IR Range	Up to 30-50m
Wavelength	850nm
White LEDs/Warmlights	N/A
COMPRESSION STANDARD	
Video Compression	S+265/H.265/H.264
Video Bit Rate	32Kbps~6Mbps
Audio Compression	G.711/G.711U/ADPCM
Audio Bit Rate	8K~48Kbps
IMAGE	
Max. Resolution	1920x1080
Main Stream	PAL: 25fps (1920x1080, 1280x720, 704x576, 640x480)
	NTSC: 30fps (1920x1080, 1280x720, 704x480, 640x480)
Sub Stream	PAL: 25fps (704x576, 704x288, 640x360, 352x288)
	NTSC: 30fps (704x480, 704x240, 640x360, 352x240)
Image Setting	Saturation, brightness, contrast, sharpness, adjustable by client software or web browser
Image Enhancement	BLC/3D DNR/HLC
ROI	N/A
OSD	16x16, 32x32, 48x48, adaptable size, Letters Such as Week, Date, Time, Total 3 Regions
Privacy Mask	Yes, 4 regions
Smart Defog	Yes

FEATURE	
Alarm Trigger	Motion Detection, Mask Alarm, IP Address Conflict
Video Analytics	Tripwire, Perimeter
Early Warning(EW)	N/A
NETWORK	
ANR	Yes, auto store video in SD card when NVR disconnected, and upload video to NVR when resumed connection (Only Support Alcon ANR NVR)
Protocols	TCP/IP, HTTP, FTP, DHCP, DNS, DDNS, MULTICAST, IPV4, NTP, UDP, Telnet
System Compatibility	ONVIF (PROFILE S/T/G), SDK, CGI (IE), P2P(Mutually exclusive with Profile G)
Remote Connection	≤7
Client	Alcon Smart Surveillance, EasyLive
Web Version	Web5
INTERFACE	
Communication Interface	1 RJ45 10M/ 100M self adaptive Ethernet port
Audio I/O	Mic in
Alarm I/O	N/A
Reset Button	Yes
On-board storage	Built-in MicroSD card slot, up to 512 GB
GENERAL	
Firmware Version	-
Web Client Language	15 languages English, Russian, Spanish, Korean, Italian, Turkish, Simple Chinese, Traditional Chinese, Thai, French, Polish, Dutch, Hebrew, Arabic, Vietnamese
Operating Conditions	-35C°~60C°, 0~95% RHG
Power Supply	DC 12V±25%, PoE (802.3af)
Power Consumption	MAX: 7.5W (12V) MAX: 9W (PoE)
Protection	IP67, IK10, Lightning protection, surge protection and voltage transient protection meets EN 55035:2017
Heater	N/A
Dimensions	φ143×124mm (φ5.63×4.88inch)
Weight	0.95Kg (2.09lb)
Certification	BIS, CE & FCC

DIMENSIONS



Unit: mm

ORDERING INFORMATION

AL-5002-MPC-HD2MV

2MP S+265 Motorized 30-50M IR Dome Camera



*Product specifications and availability are subject to change without notice.