

AL-5002-MPC-HD2CMDK-S

2MP S+265 STARLIGHT IR TURRET CAMERA

Smart 30M IR, Starlight ,IP 67,SD Card slot & Tripwire,Perimeter



OVERVIEW

Alcon Sleek 2MP Starlight IR Turret Camera

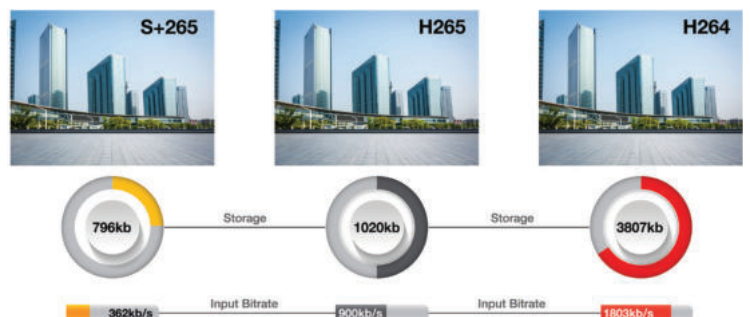
The Alcon AL-5002-MPC-HD2CMDK-S Fixed Lens IP Camera with IR Illuminator provides high resolution images for round-the-clock surveillance over IP networks & color picture in dark conditions. It supports up to S+265 compression formats and delivers excellent picture quality in Full HD 1920x1080 resolutions. IR-Cut filter and built-in IR illuminators support upto 40MTR IR distance. It supports flexible power supply options of either Power-Over-Ethernet . It is an ideal solution for indoor surveillance applications such as school, college, hospital, training center, restaurant, conference hall etc.

FEATURES

- 1920x1080, In-built Mic
- S+265/H.265/H.264
- Min. illumination Color: 0.002Lux@F1.6
- 120dB WDR
- Smart IR, IR Range: Up to 40m
- Support tripwire and perimeter
- SD Card Upto 512GB
- Operating Conditions -35°~65°, 0~95% RH
- POE, IP66

LATEST COMPRESSION S+265 TECHNOLOGY

ALCON cameras and NVRS are coming with S+265 can save approximate 80% bitrate than H.264 technology 100:20....80% less storage another new gen technology circuit making it extremely durable and best suitable for Industrial type installations.



S+265 can save approximate 50% bitrate than H.265 technology, saves 70%-80% bandwidth compared with H.264

SUPER WDR 120dB

Commonly used D-WDR, which is a software-based technique to enhance image by adjusting the gamma value to enhance dark areas is responsible for image deterioration (i.e. the image being washed out). Alcon sensor-based WDR technology allows the camera to record greater scene details with true color reproduction even under the extreme back light and high contrast conditions. The ratio that the brightest light signal values divided by the darkest light signal values is up to Super WDR 120dB.

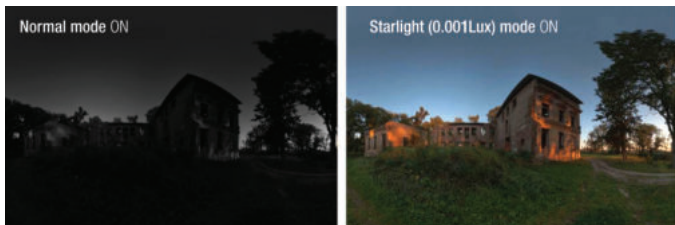


HIGH LIGHT CONTROL

Alcon HLC function is designed to allow camera capture vehicle plate license. HLC stands for High-light compensation, this technology is designed to optimize the brightness of images through using digital signal processing

SMART DEFOG

Alcon's Smart Defog image correction algorithm, improves the whole images visibility and clarity even in very foggy weather



STARLIGHT TECHNOLOGY

ALCON starlight 0.002Lux (DARK KNIGHT) series is most advance product with low light scenario with Cristal clear and color picture on Night.

DIGITAL NOISE REDUCTION

Digital Noise Reduction (DNR) is a method by which the camera's imager digitally removes noise from the image. 3D DNR is an advancement of this technology which enables noise to be filtered even more effectively from the image, even in low light conditions.



TRIPWIRE AND PERIMETER

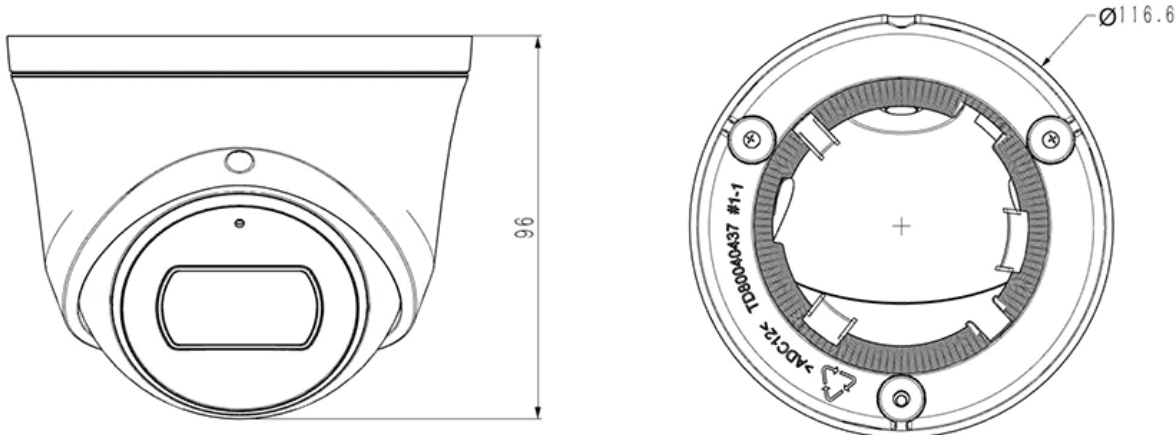
Tripwire and Perimeter is a video analytics function that provides smart detection of events captured by a security camera that supports Tripwire and perimeter. It is a more effective way of monitoring and guarding an area of interest than simple motion detection. Alcon all camera series inbuilt tripwire and perimeter advance function

SPECIFICATION

MODEL	AL-5002-MPC-HD2CMDK-S
Image Sensor	1/2.8" CMOS
Signal System	PAL/NTSC
Min. Illumination	Color: 0.002Lux@ (F1.6, ACG ON), B/W: 0Lux with IR
Shutter Time	1s to 1/100,000s
Day & Night	Dual IR Cut Filter with Auto Switch
Wide Dynamic Range	120dB
Angle Adjustment	pan 0~340°, tilt 0~75°, roate 0~360°
LENS	
Lens Type	Fixed
Focus	2.8mm
Lens Mount	M12
Aperture	F1.6, Fixed
FOV	Horizontal field of view: 97.8°
ILLUMINATOR	
IR LEDs	2
IR Range	Up to 40M
Wavelength	850nm
White LEDs/Warmlights	N/A
COMPRESSION STANDARD	
Video Compression	S+265/H.265/H.264
Video Bit Rate	32Kbps~6Mbps
Audio Compression	G.711/G.711U/ADPCM
Audio Bit Rate	8K~48Kbps
IMAGE	
Max. Resolution	1920x1080P
Main Stream	PAL: 25fps (1920×1080, 1280×720, 704×576, 640×480)
	NTSC: 30fps (1920×1080,1280×720, 704×480, 640×480)
Sub Stream	PAL: 25fps (704×576, 704×288, 640×360, 352×288)
	NTSC: 30fps (704×480, 704×240, 640×360, 352×240)
Image Setting	Saturation, brightness, contrast, sharpness, adjustable by client software or web browser
Image Enhancement	BLC/3D DNR/HLC
OSD	16×16, 32×32, 48×48, 64×64, adaptable size, Letters Such as Week, Date, Time, Total 3 Regions
Privacy Mask	Yes, 4 regions
Smart Defog	Yes

FEATURE	
Alarm Trigger	Motion Detection, Mask Alarm, IP Address Conflict
Video Analytics	Tripwire, Perimeter
Early Warning(EW)	N/A
NETWORK	
ANR	Yes, auto store video in SD card when NVR disconnected, and upload video to NVR when resumed connection (Only Support Alcon ANR NVR)
Protocols	TCP/IP, HTTP, FTP, DHCP, DNS, DDNS, MULTICAST, IPV4, NTP, UDP, Telnet
System Compatibility	ONVIF (PROFILE S/T/G), SDK, CGI (IE), P2P(Mutually exclusive with Profile G)
Remote Connection	≤7
Client	Alcon Smart Surveillance, EasyLive
Web Version	Web5
INTERFACE	
Communication Interface	1 RJ45 10M/ 100M self adaptive Ethernet port
Audio I/O	Mic in
Alarm I/O	N/A
Reset Button	N/A
On-board storage	Built-in MicroSD card slot, up to 512 GB
GENERAL	
Firmware Version	- 15 languages
Web Client Language	English, Russian, Spanish, Korean, Italian, Turkish, Simple Chinese, Traditional Chinese, Thai, French, Polish, Dutch, Hebraism, Arabic, Vietnamese
Operating Conditions	-35C°~65C°, 0~95% RH
Power Supply	PoE (802.3af)
Power Consumption	MAX: 7W (PoE)
Protection	IP66
Heater	N/A
Dimensions	ø116.6×83.7mm (ø4.59×3.30inch)
Weight	0.3Kg (0.66lb)
Certification	BIS, CE & FCC

DIMENSIONS



ORDERING INFORMATION

AL-5002-MPC-HD2CMDK-S

2MP S+265 Starlight 40M IR Turret Camera



*Product specifications and availability are subject to change without notice.