

AL-5002-MPC-HD2CMDK

2MP S+265 ST ARLIGHT MINI 40M IR DOME CAMERA

Full Metal Housing, People Counting, Heatmap & Face Capture



OVERVIEW

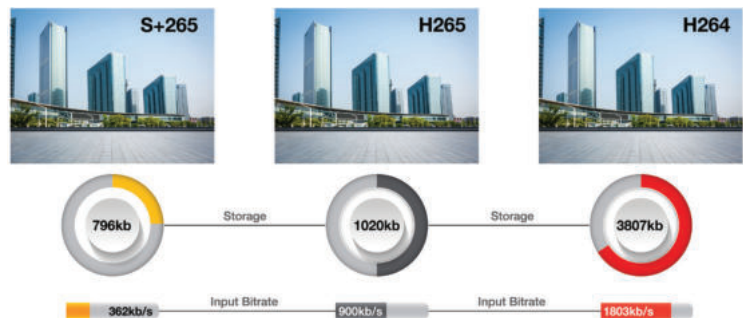
Alcon Sleek 2MP Starlight IR Dome CameraThe Alcon AL-5002-MPC-HD2CMDK Fixed Lens IP Camera with IR Illuminator provides high resolution images for round-the-clock surveillance over IP networks & color picture in dark conditions. It supports up to S+265 compression formats and delivers excellent picture quality in 1920x1080@30fps resolutions. Furthermore, the IP67-rated housing protects against rain and dust and ensure stable operation under extreme weather conditions. IR-Cut filter and built-in IR illuminators support upto 40MTR IR distance. The Alcon AL-5002-MPC-HD2CMDK also comes with Lightning, surge and voltage transient protection which meets electromagnetic compatibility standard EN 55035:2017. It supports flexible power supply options of either Power-Over-Ethernet or adaptor power. It is an ideal solution for indoor surveillance applications such as school, college, hospital, training center, restaurant, conference hall etc.

FEATURES

- Full Metal Housing
- Up to 1920x1080@30fps
- S+265/H.265/H.264/M-JP EG
- Min. illumination Color: 0.001Lux@F1.6
- Smart IR, IR Range: Upto 40m
- Support Video Analytics
- Support Face Capture Mode
- Built-in Mic, Plugin Free
- ANR, SD card slot, 512GB
- Operating Conditions -35°~65°, 0~95% RH
- Lightning, Surge & voltage protection
- POE, IP67, IK10

LATEST COMPRESSION S+265 TECHNOLOGY

ALCON cameras and NVRS are coming with S+265 can save approximate 80% bitrate than H.264 technology 100:20....80% less storage another new gen technology circuit making it extremely durable and best suitable for Industrial type installations.



S+265 can save approximate 50% bitrate than H.265 technology, saves 70%-80% bandwidth compared with H.264

SUPER WDR 120 DB

Commonly used D-WDR, which is a software-based technique to enhance image by adjusting the gamma value to enhance dark areas is responsible for image deterioration (i.e. the image being washed out). Alcon sensor-based WDR technology allows the camera to record greater scene details with true color reproduction even under the extreme back light and high contrast conditions. The ratio that the brightest light signal values divided by the darkest light signal values is up to Super WDR 120dB.



The ratio that the brightest light signal values divided by the



HIGH LIGHT CONTROL

Alcon HLC function is designed to allow camera capture vehicle plate license. HLC stands for High-light compensation, this technology is designed to optimize the brightness of images through using digital signal processing.

SMART DEFOG

Alcon's Smart Defog image correction algorithm, improves the whole images visibility and clarity even in very foggy weather.



STARLIGHT TECHNOLOGY

ALCON starlight 0.001Lux (DARK KNI GHT) series is most advance product with low light scenario with Cristal clear and color picture on Night.

DIGITAL NOISE REDUCTION

Digital Noise Reduction (DNR) is a method by which the camera's imager digitally removes noise from the image. 3D DNR is an advancement of this technology which enables noise to be filtered even more effectively from the image, even in low light conditions.



ELECTROMAGNETIC PROTECTION

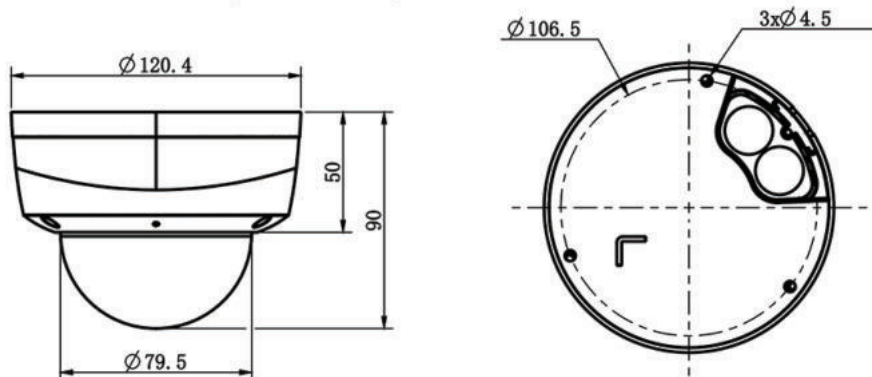
This Alcon Camera also comes with Lightning, surge and voltage transient protection which meets electromagnetic compatibility standard EN 55035:2017. This standard protects the camera from lightning & over power.

SPECIFICATION

MODEL		AL-5002-MPC-HD2CMDK
Image Sensor		1/2.7" CMOS
Signal System		PAL/NTSC
Min. Illumination		Color: 0.001Lux@ (F1.6, AC G ON), B/W: 0Lux with IR
Shutter Time		1s to 1/100,000s
Day & Night		Dual IR Cut Filter with Auto Switch
Wide Dynamic Range		120dB
Angle Adjustment		pan 0~330°, tilt 0~75°, roate 0~350°
LENS		
Lens Type		Fixed
Focus		2.8mm
Lens Mount		M12
Aperture		F1.6, Fixed
FOV		Horizontal field of view: 107°
ILLUMINATOR		
IR LEDs		8
IR Range		Upto 40m
Wavelength		850nm
White/Warmlight LEDs		N/A
COMPRESSION STANDARD		
Video Compression		S+265/H.265/H.264/M-JPEG
Video Bit Rate		32Kbps~16Mbps
Audio Compression		G.711A/G.711U/ADPCM_D/AAC_LC
Audio Bit Rate		8K~48Kbps
IMAGE		
Max. Resolution		1920x1080
Main Stream		PAL: 25fps (1920x1080, 1280x720, 704x576, 640x480)
		NTSC: 30fps (1920x1080, 1280x720, 704x480, 640x480)
Sub Stream		PAL: 25fps (704x576, 704x288, 640x360, 352x288)
		NTSC: 30fps (704x480, 704x240, 640x360, 352x240)
Third Stream		PAL: 25fps(704x576, 704x288, 352x288)
		NTSC: 30fps(704x480, 704x240, 352x240)
Image Setting		Saturation, brightness, contrast, sharpness, adjustable by client software or web browser
Image Enhancement		BLC/3D DNR/HLC/Corridor Format
ROI		Support 8 fixed regions of coding
OSD		16x16, 24x24, 32x32, 48x48, 64x64, adaptable size, Letters Such as Week, Date, Time, Total 8 Regions
Picture Overlay		Yes
Privacy Mask		Yes, 8 regions
Smart Defog		Yes

FEATURE		
Alarm Trigger		Motion Detection, Mask Alarm, Disk Full, Disk R/W Error, IP Address Conflict, MAC Address Conflict, FTP Server Exception
Video Analytics		Tripwire, Double Tripwire, Perimeter, Object Abandon, Object Lost, Loitering, Running, Parking, Crowded, People Counting, On Duty Detection, Video Abnormal, Audio Abnormal, Heatmap, Face Capture(Face Detection)
Early Warning(EW)		N/A
NETWORK		
ANR		Yes, auto store video in SD card when NVR disconnected, and upload video to NVR when resumed connection (Only Support Alcon ANR NVR)
Protocols		TCP/IP, ICMP, HTTP, HTTPS, DHCP, DNS, DDNS, RTP, RTSP, RTP, PPPoE, MULTICAST, UPnP, FTP, IPV4, NTP, SMTP, IGMP, 802.11x, QoS, IPV6, ARP, UDP, SNMP, SSL, SIP, Telnet, STP, RTMP, SFTP, NFS
System Compatibility		ONVIF (PROFILE S/T/G), SDK, Milestone, CGI, P2P
Remote Connection		≤7
Client		Alcon Smart Surveillance, EasyLive
Web Version		Web6
INTERFACE		
Communication Interface		1 RJ45 10M/ 100M self adaptive Ethernet port
Audio		Mic in
Alarm		N/A
Reset Button		Yes
On-board storage		Built-in Micro SD card slot, up to 512 GB
GENERAL		
Firmware Version		-
Web Client Language		16 languages English, Russian, Spanish, Korean, Italian, Turkish, Simple Chinese, Traditional Chinese, Thai, French, Polish, Dutch, Hebraism, Arabic, Vietnamese
Operating Conditions		-35°C~65°C, 0~95% RH
Power Supply		DC12V±25%/PoE
Power Consumption		MAX: 5W (12V) MAX: 6W (PoE)
Protection		IP67, IK10, Lightning protection, surge protection and voltage transient protection meets EN 55035:2017
Heater		N/A
Dimensions		Φ120x90mm (Φ4.72x3.54inch)
Weight		0.45Kg (0.99lb)
Certification		BIS, CE & FCC

DIMENSIONS



ORDERING INFORMATION

AL-5002-MPC-HD2CMDK

5MP S+265 Starlight 40M IR Dome Camera



*Product specifications and availability are subject to change without notice.

