

AL-5001-MPC-HD5CMDK-EX

5MP Fixed Explosion-proof Bullet Camera



Overview

Alcon specialized cameras, built for extreme environmental conditions. Designed for use in hazardous locations such as chemical plants and gas stations, our explosion-proof cameras are essential for safely monitoring processes. Safety is key, but cost-effectiveness is critical. Alcon's explosion-proof camera breaks this cycle, offering high-performance security and reliability without the price tag. Enjoy strong security without straining your budget.

Inbuilt AI features, step ahead of threats

Smart Analytics offers better insights and faster responses with object detection and classification, crowd thresholds, man & vehicle type differentiation, face capture, helmet detection ...

Features

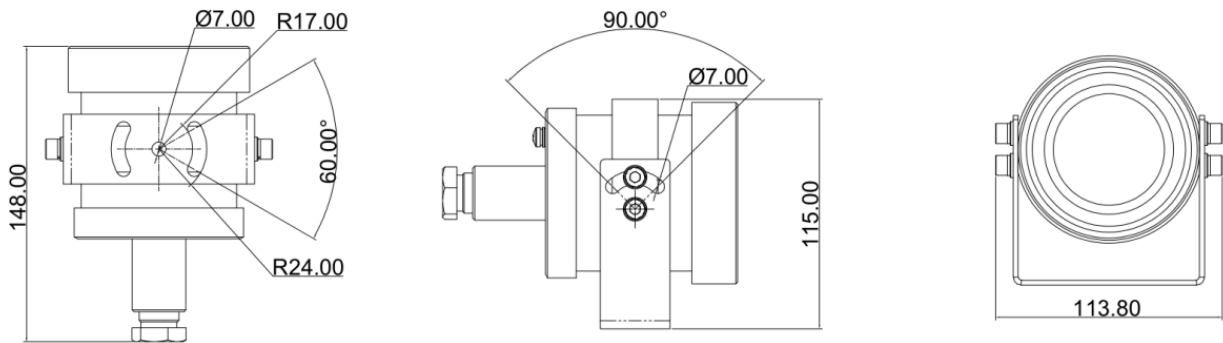
- Steel housing
- Up to 5MP, 2880×1620@30fps
- S+265/H.265/H.264B/H.264M/H.264H/Motion JPEG
- Color: 0.002Lux@(F1.6, AGC ON), B/W: 0Lux with IR
- IR range up to 30m, IP68, 1920x1080p@60fps
- Support microSD/microSDHC/microSDXC card, up to 512GB
- Support smart surveillance, face capture
- Support human/vehicle classification
- Operating conditions -35°C~65°C(-31°C~149°C), ≤95%RH
- VCA: Human/Vehicle Classification; Tripwire; Double Tripwire; Perimeter; Object Abandon; Object Lost; Heatmap; Loitering; Running; Parking; People Counting; Crowded; Safety Helmet Detection; On Duty Detection; Video Abnormal; Audio Abnormal

Specification

Camera	AL-5001-MPC-HD5CMDK-EX
Image Sensor	1/2.7"CMOS
Min. Illumination	Color:0.002Lux@(F1.6,AGC ON),B/W:0Lux with IR
Shutter Time	1s~1/100000s
Day&Night	IR-cut filter with auto switch (ICR)
Smart IR	Yes
WDR	120dB
S/N	>39dB
Angle Adjustment	0~360°(P); -45~45°(T)
Lens	
Lens Type	Fixed focal lens
Focal Length	4mm
Lens Mount	M12
Aperture Range	F1.6
Aperture Type	Fixed
Field of View	91°(H); 46.4°(V); 107°(D)
DORI Distance	Detect:80m Observe:31.5m Recognize:16m Identify:8m
Illuminator	
IR LEDs	2
IR Distance	Up to 30m
Wavelength	850nm
Compression Standard	
Video Compression	S+265/H.265/H.264B/H.264M/H.264H/Motion JPEG
Video Bit Rate	32k~16Mbps
Audio Compression	G.711A/G.711U/ADPCM_D/AAC_LC
Audio Sampling Rate	8kHz/32kHz/48kHz
Image	
Max. Resolution	5MP,2880×1620@30fps
Main Stream	PAL:25fps(2880×1620, 2688×1520, 2560×1440, 2304×1296) 50fps(1920×1080, 1280×720) NTSC:30fps(2880×1620, 2688×1520, 2560×1440, 2304×1296) 60fps(1920×1080, 1280×720)
Sub Stream	PAL:25fps(704×576, 704×288, 640×360, 352×288) NTSC:30fps(704×480, 704×240, 640×360, 352×240)
Third Stream	PAL:25fps(1920×1080, 1280×720, 704×576, 640×360, 704×288, 352×288) NTSC:30fps(1920×1080, 1280×720, 704×480, 640×360, 704×240, 352×240)
BLC	Yes
HLC	Yes
AGC	Yes
3D DNR	Yes
White Balance	Auto/Semi-Auto/Manual/Sunshine/Nature Light/Warmlight Lamp/Daylight Lamp/Filament Lamp/Lock White Balance
ROI	8 rectangular static areas
Corridor Mode	Yes
OSD	Overlay of additional characters in 5 regions, 2 lines, with a maximum of 127 characters or 42 Chinese characters per region; 16*16/32*32/48*48/64*64/96*96
Picture Overlay	1*200x200 size BMP 24 color bit image overlay
Privacy Mask	4 black static areas
Defog	Yes
Feature	
General Alarm	Motion Detection; Mask Alarm; Alarm Input
Exceptions Alarm	Voltage Alarm; Disk Full; Disk R/W Error; IP Address Conflict; MAC Address Conflict; FTP Server Exception
Linkage Method	Send Email; Trigger Sound; Trigger Recording; Trigger Capture; Notify Surveillance Center; Alarm Output
Video Analytics	Human/Vehicle Classification; Tripwire; Double Tripwire; Perimeter; Object Abandon; Object Lost; Heatmap; Loitering; Running; Parking; People Counting; Crowded; Safety Helmet Detection; On Duty Detection; Video Abnormal; Audio Abnormal
Rules of Behavior Analyse In 1 Scene	8
Face Mode	Face Capture
Face Detection Performance	Detect up to 32 faces at the same scene; Capture up to 16 faces at the same scene

Network	
ANR	Yes
Protocols	HTTP; HTTPS; TCP/IP; UDP; UPnP; ICMP; IGMP; SNMP v1v2v3; DHCP; DNS; DDNS; Easy DDNS; NTP; SMTP; TLS v1.2; SSL; 802.1X; QoS; IPv4; IPv6; PPPoE; SSH; Unicast; Multicast; RTCP; ARP; SRTP; FTP; SFTP
System Compatibility	ONVIF(Profile S/T/G/M) ; SDK; CGI; Milestone; RTSP; RTMP
Remote Connection	≤7
Client	Alcon Smart Surveillance
Web	IE10+; Firefox52+; Edge89+; Safari11+; Chrome57+
Interface	
Communication Interface	1*RJ-45 (10/100 Base-T)
Audio I/O	1; 1
Alarm I/O	1-ch,TTL input,3mA,3.3VDC; 1-ch,TTL output,30mA,12VDC
Reset Button	Yes(Built-in)
On-board Storage	Support microSD/microSDHC/microSDXC card,up to 512GB
RTC	Yes
General	
Web Client Language	English/Spanish/Korean/Italian/Turkish/Russian/Thai/French/Polish/Dutch/Hebrew /Arabic/Vietnamese/German/Ukrainian/Portuguese/Albanian
Operating Temperature	-35 ~65 (-31 ~149)
Operating Humidity	≤95%RH
Storage Temperature	-35 ~65 (-31 ~149)
Storage Humidity	10%~95%RH(non-condensing)
Power Supply	DC12V±25%,Max. 7W; PoE:IEEE 802.3af,Max. 8W
Protection	Surge4000V; ESD6000V; IP68
Boundary Dimensions	148(L)114(W)115(H)mm
Package Dimensions	225(L)175(W)170(H)mm
GrossWeight	2.6kg
Certification	CE, FCC,BIS & RoHS

DIMENSIONS



ORDERING INFORMATION

AL-5001-MPC-HD5CMDK-EX

5MP Starlight Explosion-proof Bullet Camera



*Product specifications and availability are subject to change without notice.

