

AL-5001-MPC-HD4LPR

4MP Motorized LPR Detection Camera



OVER VIEW

Alcon Smart Full HD Motorized Starlight Bullet Camera

The Alcon AL-5001-MPC-HD4LPR Camera with Starlight Low Light Technology. It supports H.265+/H.264, MPEG-4, and JPEG compression formats and delivers excellent picture quality in 4MP resolutions. It is also equipped with a mounting bracket that conceals all cables within for easy management and waterproofing. Furthermore, the IP67-rated housing protects against rain and dust and ensures stable operation under extreme weather conditions. IR-Cut filter & built-in IR illuminators enables the camera to provide color (0.007Lux) video in low light condition and black/white clear video in extreme dark conditions. It supports flexible power supply options of either Power-Over-Ethernet or adapter power. It is an ideal solution for outdoor and indoor surveillance applications such as buildings, roads, parking areas, garages, railway stations, airports etc.

FEATURES

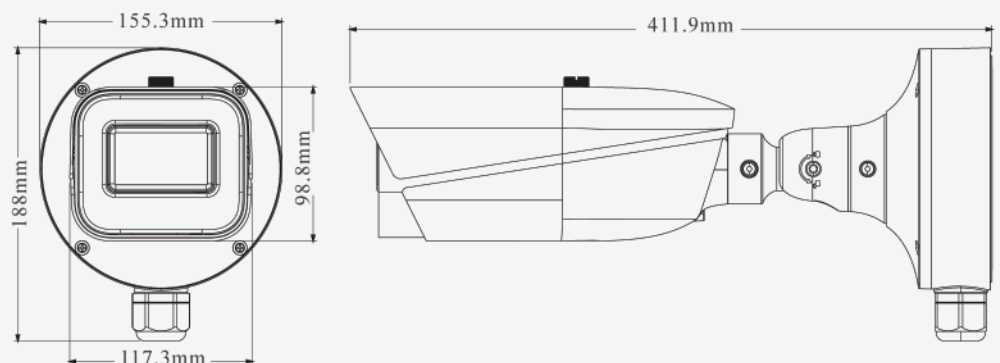
- Smart H.265/H.265/Smart H.264/H.264+/H.264/MJPEG coding
- Max resolution: 2592 x 1520
- Starlight
- ICR auto switch, true day / night vision
- Up to 100m IR night view distance: motorized zoom lens
- 3D DNR, true WDR, HLC, BLC, Defog, INR, Smart IR and ROI coding
- Support image distortion correction
- Built-in micro SD card slot: up to 256GB
- AC24/DC12V/ PoE power supply
- IP 67 & IK10
- Support three streams
- Face Recognition & License Plate Detection

PECIFICATIONS

Model	AL-5001-MPC-HD4LPR
Image Sensor	1 / 1.8" CMOS
Image Size	2592 × 1520
Electronic Shutter	Manual or auto; manual: 1 / 1 s ~ 1 / 100000s
Iris Type	DC Iris
Min. Illumination	0.0007 lux@F1.3,AGC ON; 0 lux with IR 0.001 lux@F1.6, AGC ON; 0 lux with iR
Lens	8~32mm@F1.6, motorized
Field of View	Horizontal: 41°~15.5°; Vertical: 23°~9.5°; Diagonal: 46.5°~18°
Lens Mount	Integrated
Recommended ANPR Distance	7~30m
Wide Dynamic Range	120dB
BLC	Yes
HLC	Yes
Defog	Yes
Digital NR	3D DNR
S/N Ratio	≥50dB
Angle Adjustment	Pan: 0°~360°; Tilt:0°~90°; Rotation: 0°~360°
Image	
Video Compression	Main stream: H.265+ / H.265 / H.264+ / H.264 Sub stream: H.265+ / H.265 / H.264+ / H.264 / MJPEG Third stream: H.265+ / H.265 / H.264+ / H.264 / MJPEG
H.264 Compression Standard	Baseline Profile/Main Profile/High Profile
Resolution	4MP (2592 ×1520), 2K (2560 ×1440), 3MP(2304 ×1296),1080P(1920 ×1080), 720P (1280 ×720), D1, CIF
Main Stream	4MP/2K/3MP/1080P(60Hz:1 ~ 30fps; 50Hz: 1 ~ 25fps) HFR Mode: 1080P (60Hz: 1~60fps; 50Hz: 1~50fps)
Sub Stream	720P/D1/CIF (60Hz:1 ~ 30fps; 50Hz: 1 ~ 25fps)
Third Stream	D1/CIF (60Hz:1 ~ 30fps; 50Hz: 1 ~ 25fps)
Bit Rate	64 Kbps ~ 8 Mbps
Bit Rate Type	VBR / CBR
Audio Compression	G711A / U
Image Settings	ROI, Saturation, Brightness, Hue, Contrast,Wide Dynamic, Sharpness, Image Mirror, Image Flip, NR,etc. adjustable through client software or web browser
ROI	Each ROI to be configured separately
Interfaces	
Network	RJ 45 10M/100M self-adaptive Ethernet port
Video Output	CVBS output (BNC× 1)
Audio	1CH audio input; 1CH audio output
Storage	Built-in micro SD card slot; up to 256GB
Reset	Yes
Alarm	1CH alarm input; 1CH alarm output
RS 485	Yes
Wiegand	Yes (26bit)

Functions	
Remote Monitoring	Web Browser
Web Browser	IE11 (plug-in required)/Chrome 89.0+/Edge 89.0+/Firefox 87.0+/Safari 14.0+
Online Connection	Support simultaneous monitoring for up to 10 users; Support multi-stream real time transmission
Network Protocol	UDP, IPv4, IPv6, DHCP, NTP, RTSP, RTP, RTMP, RTCP, PPPoE, DDNS, SMTP, FTP, SNMP, HTTP, HTTP POST, 802.1x, UPnP, HTTPs, QoS
Interface Protocol	ONVIF
Storage	Network remote storage; micro SD card storage
Smart Alarm	Motion detection, sensor alarm, SD card error, SD card full, IP address conflict, cable disconnection
Intelligent Analytics	Indian License plate recognition, video exception detection
Security	Video encryption, firmware encryption, HTTPs encryption, configuration encryption, illegal login lock, IP address filtering, 802.1x authentication, basic and digest authentication for HTTP/HTTPs
General Function	Watermark, video mask, heartbeat, corridor mode
PoE	Yes , IEEE802.3af
IR Distance	70~100m
Protection Grade	IP67
LPR	
Snapshot	Original image (4MP resolution) and license plate image
Vehicle Plate Database	10,000
License Plate	Capture of vehicles with license plates and vehicles without license plate, Support plate exposure, travel direction recognition,
Detection & Recognition	plate character fault tolerance, plate comparison, snapshot time display Vehicle feature extraction: including vehicle color, plate color, vehicle type, vehicle brand/model, production year, etc.
Capture Speed Range	0~120km/h
Others	
Power Supply	DC12V/AC24V/PoE
Power Consumption	< 12W
Operating Environment	- 30 °C ~ 60 °C (-22°F~140°F); Humidity: less than 95 % (non-condensing)
Storage Environment	- 30 °C ~ 65 °C (-22°F~149°F); Humidity: less than 95 % (non-condensing)
Dimensions (mm)	278.3 × 100.2 × 88.7
Weight (net)	Approx. 1.176KG
Installation	Pole mounting; Wall mounting
Certificate	CE,FCC

DIMENSIONS



ORDERING INFORMATION

AL-5001-MPC-HD4LPR

4MP Motorized LPR Detection Camera



*Product specifications and availability are subject to change without notice.

