

AL-5001-MPC-HD2MVDK-S

S+265 STARLIGHT MOTORIZED 2MP IR BULLET CAMERA

SD Card slot & Lightning protection



OVERVIEW

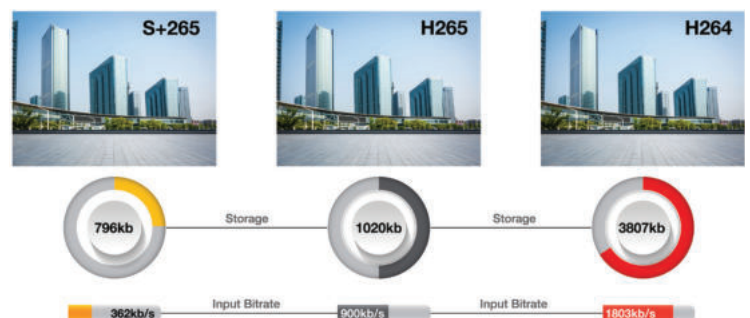
Alcon Full HD Starlight IR Varifocal Smart Audio Bullet Camera The Alcon AL-5001-MPC-HD2MVDK-S Fixed Lens IP Camera with IR Illuminator provides high resolution images for round-the-clock surveillance over IP networks. It supports up to S+265 compression formats and delivers excellent picture quality in Full-HD 1920x1080p@30fps resolutions. Furthermore, the IP67 and IK10 rated housing protects against rain and dust and ensure stable operation under extreme weather conditions. IR-Cut filter and built-in IR illuminators support upto 80MTR IR distance. The Alcon AL-5001-MPC-HD2MVDK-S also come with Lightning, surge and voltage transient protection which meets electromagnetic compatibility standard EN 55035:2017. It supports flexible power supply options of either Power-Over-Ethernet or adaptor power. It is an ideal solution for outdoor surveillance applications such as school, college, hospital, training center, restaurant, conference hall etc.

FEATURES

- Motorized Lens 2.7-13.5mm
- Up to 1920x1080@30fps
- S+265/H.265/H.264/M-JPEG
- Min. illumination Color: 0.001Lux@F1.6
- Smart IR, IR Range: 80m
- Support Video Analytics, Full Metal Housing
- Audio I/O 1/1, alarm I/O 2/1
- Plugin Free, Support ANR & Built in Mic
- Built-in Micro SD card slot, up to 512GB
- POE, IP67, IK10
- Lightning & surge protection

LATEST COMPRESSION S+265 TECHNOLOGY

ALCON cameras and NVRS are coming with S+265 can save approximate 80% bitrate than H.264 technology 100:20...80% less storage another new gen technology circuit making it extremely durable and best suitable for Industrial type installations.



S+265 can save approximate 50% bitrate than H.265 technology, saves 70%-80% bandwidth compared with H.264

SUPER WDR 120dB

Commonly used D-WDR, which is a software-based technique to enhance image by adjusting the gamma value to enhance dark areas is responsible for image deterioration (i.e. the image being washed out). Alcon sensor-based WDR technology allows the camera to record greater scene details with true color reproduction even under the extreme back light and high contrast conditions. The ratio that the brightest light signal values divided by the darkest light signal values is up to 120dB.

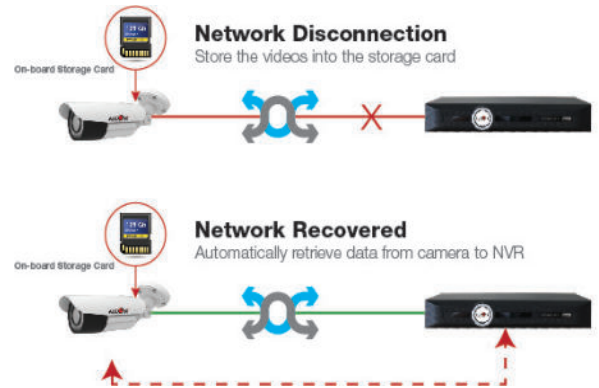


HIGHLIGHT CONTROL

Alcon HLC function is designed to allow camera capture vehicle plate license. HLC stands for Hight-light compensation, this technology is designed to optimize the brightness of images through using digital signal processing.

ANR FEATURES

NVRs (Network Video Recorders) with the ANR (Automatic Network Replenishment) function can automatically store video data on the IPC (Internet Protocol Camera) storage card when the network is disconnected. After recovery of the network, the NVR automatically retrieves the video data stored on the camera.

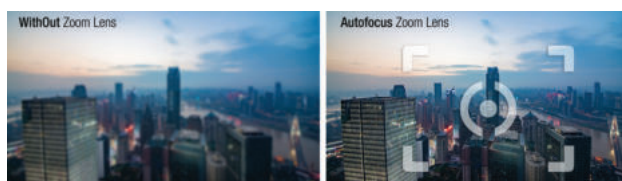


DIGITAL NOISE REDUCTION

Digital Noise Reduction (DNR) is a method by which the camera's imager digitally removes noise from the image. 3D DNR is an advancement of this technology which enables noise to be filtered even more effectively from the image, even in low light conditions.

ELECTROMAGNETIC PROTECTION

The Alcon AL-5001-MPC-HD2MVDK-S also comes with Lightning, surge and voltage transient protection which meets electromagnetic compatibility standard EN 55035:2017. This standard protects the camera from lightning & over power.



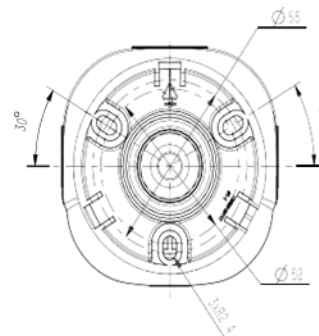
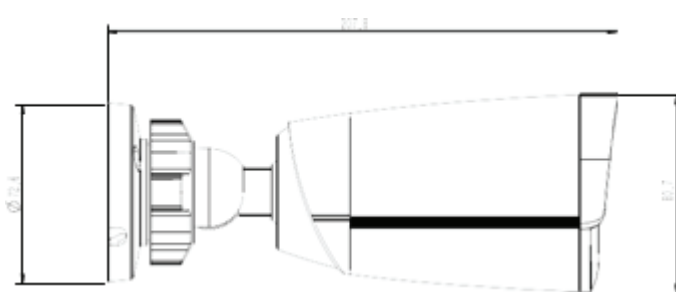
AUTO FOCUS

Alcon autofocus Camera is an ideal choice for surveillance and monitoring when the field of view encompasses large differences in distances of the target or the target is moving and often changes its distance to the camera. Alcon autofocus Camera lenses are zoom lenses; a variation of this type of lens is a vari-focal lens which can vary its focal length by manual adjustment and can zoom upto 5X Remotely.

SPECIFICATION

| MODEL | AL-5001-MPC-HD2MVDK-S |
|------------------------------|--|
| Image Sensor | 1/2.7" CMOS |
| Signal System | PAL/NTSC |
| Min. Illumination | Color: 0.001Lux@ (F1.6, ACG ON), B/W: 0Lux with IR |
| Shutter Time | 1s to 1/100,000s |
| Day & Night | Dual IR Cut Filter with Auto Switch |
| Wide Dynamic Range | 120dB |
| Angle Adjustment | pan 0~330°, tilt 0~75°, roate 0~350° |
| LENS | |
| Lens Type | Motorized |
| Focus | 2.7-13.5mm |
| Lens Mount | Φ14 |
| Aperture | F1.6~F3.3, Fixed |
| FOV | Horizontal field of view: 101°~25° |
| ILLUMINATOR | |
| IR LEDs | 18 |
| IR Range | Up to 80m |
| Wavelength | 850nm |
| White/Warmlight LEDs | N/A |
| COMPRESSION STANDARD | |
| Video Compression | S+265/H.265/H.264/M-JPEG |
| Video Bit Rate | 32Kbps~16Mbps |
| Audio Compression | G.711A/G.711U/ADPCM_D/AAC_LC |
| S/N Ratio | ≥ 55dB |
| Audio Bit Rate | 8K~48Kbps |
| IMAGE | |
| Max. Resolution | 1920x1080 |
| Main Stream | PAL: 25fps (1920×1080, 1280×720, 704×576, 640×480) NTSC: 30fps (1920×1080, 1280×720, 704×480, 640×480) |
| Sub Stream | PAL: 25fps (704×576, 704×288, 640×480, 352×288) NTSC: 30fps (704×480, 704×240, 640×480, 352×240) |
| Third Stream | PAL: 25fps(704x576, 704x288, 352x288) NTSC: 30fps(704x480, 704x240, 352x240) |
| Image Setting | Saturation, brightness, contrast, sharpness, adjustable by client software or web browser |
| Image Enhancement | BLC/3D DNR/HLC/Corridor Format |
| ROI | Support 8 fixed regions of coding 16×16, 24×24, 32×32, 48×48, 64×64, |
| OSD | adaptable size, Letters Such as Week, Date, Time, Total 8 Regions |
| Picture Overlay, Smart Defog | Yes |
| Privacy Mask | Yes, 8 regions |

DIMENSIONS



ORDERING INFORMATION

AL-5001-MPC-HD2MVDK-S

S+265 Starlight Motorized 80M IR Bullet Camera



*Product specifications and availability are subject to change without notice.

| FEATURE | |
|-------------------------|--|
| Alarm Trigger | Event Input, Event Output, Motion Detection, Mask Alarm, Disk Full, Disk R/W Error, IP Address Conflict, MAC Address Conflict, FTP Server Exception |
| Video Analytics | Tripwire, Perimeter, |
| NETWORK | |
| ANR | Yes, auto store video in SD card when NVR disconnected, and upload video to NVR when resumed connection (Only Support Alcon ANR NVR) |
| Protocols | TCP/IP, ICMP, HTTP, HTTPS, DHCP, DNS, DDNS, RTP, RTSP, RTCP, PPPoE, MULTI - CAST, UPnP, FTP, IPV4, NTP, SMTP, IGMP, 802.1x, QoS, IPV6, ARP, UDP, SNMP, SSL, SIP, Telnet, SNMP, RTMP, SFTP, NFS |
| System Compatibility | ONVIF (PROFILE S/T/G), SDK, Milestone, CGI, P2P |
| Remote Connection | ≤7 |
| Client | Alcon Smart Surveillance, EasyLive |
| Web Version | Web6 |
| INTERFACE | |
| Communication Interface | 1 RJ45 10M/ 100M self adaptive Ethernet port |
| Audio | 1/1, Mic in |
| Alarm | 2/1 |
| Reset Button | Yes |
| On-board storage | Built-in Micro SD card slot, up to 512 GB |
| GENERAL | |
| Firmware Version | - |
| Web Client Language | 15 languages English, Russian, Spanish, Korean, Italian, Turkish, Simple Chinese, Traditional Chinese, Thai, French, Polish, Dutch, Hebraism, Arabic, Vietnamese |
| Operating Conditions | -35C°~65C°, 0~95% RH |
| Power Supply | DC12V±25%/PoE |
| Power Consumption | MAX: 7.5W (12V) MAX: 9W (PoE) |
| Protection | IP67, IK10, Lightning protection, surge protection and voltage transient protection meets EN 55035:2017 |
| Dimensions | ø143×124mm (ø5.63×4.88inch) |
| Weight | 0.95Kg (2.09lb) |
| Certification | CE,FCC&BIS |