

# 2MP AI 80M IR Motorized Varifocal Bullet Camera



## Alcon Sleek Full HD Motorized Varifocal IP Camera

The Alcon AL-5001-MPC-HD2MV Motorized Varifocal IP Camera with S+265 Video Compression and IR light Illuminator is in true sense of a Smart IP Camera that provides high resolution images for round-the-clock surveillance over IP networks. It supports S+265/H.265/H.264, MPEG-4 and JPEG compression formats and delivers excellent picture quality in 2MP resolution. Furthermore, the IP67-rated housing protects against rain or dust and ensures stable operation under extreme weather conditions. IR-Cut filter and built-in IR illuminators enables the camera to provide color (0.02 Lux) video when there is sufficient light and black/white (0 Lux) clear video in dark environment. The Alcon Premium series IP camera also comes with Digital WDR which allows it to maintain clear images 24 hours of a day. It supports flexible power supply options of either Power-Over-Ethernet or adaptor power. It is an ideal solution for outdoor and indoor surveillance applications such as buildings, roads, parking areas, railway stations and airports etc.

## LATEST COMPRESSION H.265+ TECHNOLOGY

ALCON cameras and NVRS are coming with H.265+ can save approximate 80% bitrate than H.264 technology 100:20...80% less storage another new gen technology circuit making it extremely durable and best suitable for Industrial type installations.

## Key features

- Motorized Lens 2.8-12mm
- Up to 1920x1080@30fps
- Min. illumination Color: 0.02Lux@F1.6
- Smart IR, IR Range: 80m
- In-Built Mic
- Support tripwire and perimeter
- Built-in Mic, 512GB SD Card Slot & ANR
- Reset Button, POE & IP67
- Lightning, surge & voltage protection



### TRIPWIRE AND PERIMETER

Tripwire and Perimeter is a video analytics function that provides smart detection of events captured by a security camera that supports Tripwire and perimeter. It is a more effective way of monitoring and guarding an area of interest than simple motion detection. Alcon all camera series inbuilt tripwire and perimeter advance function.

### IN-BUILT MIC

Alcon all camera series is coming with in-built Mic Features. Most CCTV cameras OEM products are coming without this features .where as this feature will give both Audio and video recording will be added advantages for the end user instead of only video recording.

### DIGITAL NOISE REDUCTION

Digital Noise Reduction (DNR) is a method by which the cameras imager digitally removes noise from the image. 3D DNR is an advancement of this technology which enables noise to be filtered even more effectively from the image, even in low light conditions.

### HIGH LIGHT CONTROL

Alcon HLC function is designed to allow camera view vehicle license plate. HLC stands for Hight-light compensation, this technology is designed to optimize the brightness of images through using digital signal processing.

### SMART DEFOG

Alcon's Smart Defog image correction algorithm, improves the whole images visibility and clarity even in very foggy weather.

### PRIVACY MASKING

Privacy masking is a feature found in many IP cameras which is used to protect personal privacy by concealing parts of the image from view with a masked area. Examples of this use would be masking windows of domestic properties.

## Application



Hospital



School/ College



Office



Apartment



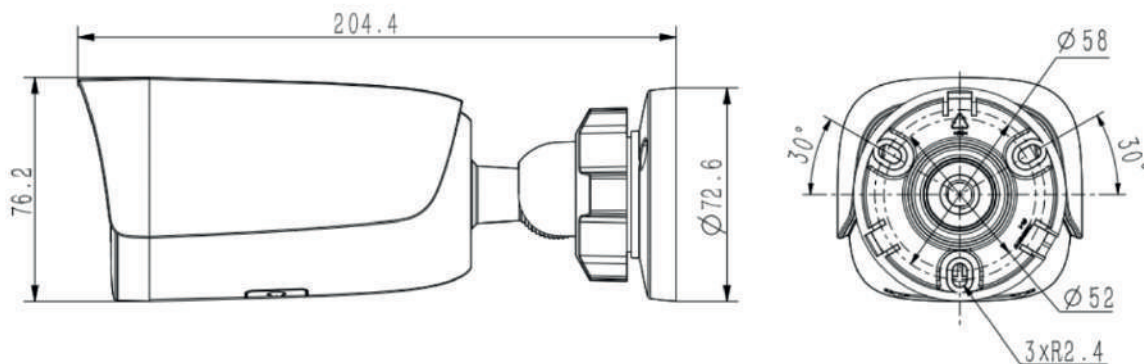
## SPECIFICATION

Camera	
Image Sensor	1/2.8"CMOS
Min. Illumination	Color:0.02Lux@(F1.6,AGC ON),B/W:0Lux with IR
Shutter Time	1s~1/100000s
Day&Night	IR-cut filter with auto switch (ICR)
WDR	DWDR
Angle Adjustment	0~360°(P); 0~90°(T); 0~360°(R)
Lens	
Lens Type	Motorized
Focal Length	2.8~12mm
Lens Mount	Φ14
Aperture Range	F1.6
Field of View	105.6°~29°(H); 58.8°~16.6°(V); 120.9°~33.4°(D)
Illuminator	
IR LEDs	4
IR Distance	80m
Wavelength	850nm
Compression Standard	
Video Compression	S+265/H.265/H.264B/H.264MH.264H
Video Bit Rate	32k~4Mbps
Audio Compression	G.711A/G.711U
Audio Sampling Rate	8kHz
Image	
Max. Resolution	1920×1080@30fps
Main Stream	PAL:25fps(1920×1080, 1280×720, 640×480, 704×576) NTSC:30fps(1920×1080, 1280×720, 640×480, 704×480)
Sub Stream	PAL:25fps(704×576, 704×288, 640×360, 352×288) NTSC:30fps(704×480, 704×240, 640×360, 352×240)
BLC	Yes
HLC	Yes
AGC	Yes
3D DNR	Yes
White Balance	Auto/Semi-Auto/Manual/Sunshine/Nature Light/Warmlight Lamp/Daylight Lamp/Filament Lamp/Lock White Balance
ROI	8 rectangular static areas
OSD	Overlay of additional characters in 1 regions, 1 line, with a maximum of 48 characters or 16 Chinese characters per region; 16*16/32*32/48*48
Privacy Mask	4 black static areas
Defog	Yes
Feature	
Alarm Trigger	Motion Detection; Mask Alarm; Disk Full; Disk R/W Error; IP Address Conflict
Linkage Method	trigger recording; trigger capture; notify surveillance center
Network	
ANR	Yes
Protocols	HTTP, HTTPS, TCP/IP, UDP, UPnP, ICMP, DHCP, DNS, DDNS; Easy DDNS; NTP, QoS; IPv4; SSH; Unicast; RTSP, FTP
System Compatibility	P2P(Mutually exclusive with Profile G); ONVIF Profile S/T/G; CGI; Milestone
Remote Connection	≤2
Client	Alcon Smart Surveillance
Mobile Client	Alcon View



Interface	
Communication Interface	1*RJ-45,10/100 Mbps self-adaptive Ethernet port
Reset Button	Yes
On-board storage	Support microSD/microSDHC/microSDXC card, up to 512 GB
Mic	In-built
RTC	Yes
General	
Web Client Language	15 languages English/Spanish/Korean/Italian/Turkish/Russian/Thai/French/Polish/Dutch/Hebrew /Arabic/Vietnamese/ German/Ukrainian/Portuguese/Albanian
Operating Temperature	-30 ~60 (No turning on the light)
Operating Humidity	Humidity 95% or less (no condensation)
Storage Temperature	-30 ~60
Storage Humidity	Humidity 95% or less (no condensation)
Power Supply	DC12V±25%,MAX 6.5W; POE 802.3af,MAX 7W
Protection	Surge4000V; ESD6000V; IP67
Boundary Dimensions	204(L)83.6(W)76.2(H)mm
Package Dimensions	215(L)95(W)120(H)mm
GrossWeight	0.57kg
Certification	FCC, CE, BIS & RoHS

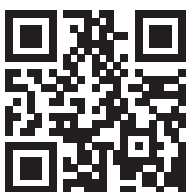
## DIMENSIONS



## ORDERING INFORMATION

AL-5001-MPC-HD2MV

2MP AI 80M IR Motorized Varifocal Bullet Camera



\*Product specifications and availability are subject to change without notice.

