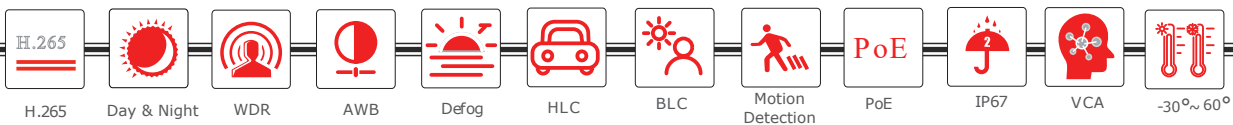


**AL-5001-MPC-HD2LPR**

# 2MP Motorized LPR Detection Camera



## OVERVIEW

### Alcon Smart Full HD Motorized Starlight Bullet Camera

The Alcon AL-5001-MPC-HD2LPR Camera with Starlight Low Light Technology . It supports H.265+/H.264, MPEG-4, and JPEG compression formats and delivers excellent picture quality in 2MP resolutions. It is also equipped with a mounting bracket that conceals all cables within for easy management and waterproofing. Furthermore, the IP67-rated housing protects against rain and dust and ensures stable operation under extreme weather conditions. IR-Cut filter & built-in IR illuminators enables the camera to provide color (0.0026Lux) video in low light condition and black/white clear video in extreme dark conditions. It supports flexible power supply options of either Power-Over-Ethernet or adapter power. It is an ideal solution for outdoor and indoor surveillance applications such as buildings, roads, parking areas, garages, railway stations and airports etc.

## FEATURES

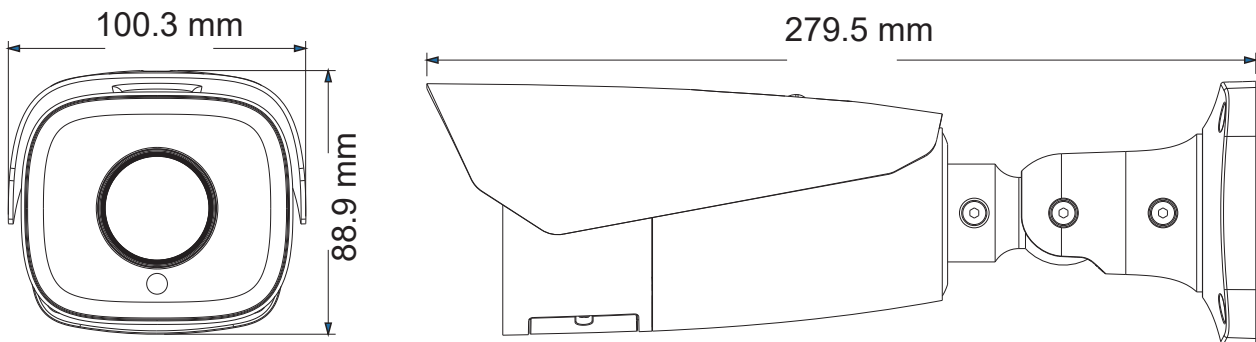
- 1080P ( 1920 × 1080 )@30fps
- Support SMART H.265/H.264 coding
- ICR auto switch, true day/night
- 50 ~ 70m IR night view distance; Motorized zoom lens
- 3D DNR, true WDR, HLC, BLC and ROI coding
- 1CH audio input and 1CH audio output; Hardware reset
- Built-in micro SD card slot, up to 128GB
- 1CH alarm input; 1CH alarm output
- DC12V/PoE power supply
- P2P function optional
- IP67 ingress protection
- Support three streams, Starlight
- Support mobile surveillance by smart phones with iOS and Android OS
- Intelligent Analytics: video abnormality (video tampering, scene change), license plate recognition

**SPECIFICATIONS**

Model	<b>AL-5001-MPC-HD2LPR</b>
<b>Camera</b>	
Image Sensor	1 / 2.8 "CMOS
Image Size	1920 × 1080
Electronic Shutter	1 / 25 s ~ 1 / 100000 s
Iris Type	DC-IRIS
Min. Illumination	0.0026lux@F1.4, AGC ON; 0 lux with IR
Lens	Motorized zoom lens, 7~22mm, 5~50mm(Optional)@ F1.4, horizontal FoV: 44°~17.6°
Lens Mount	Φ14
Wide Dynamic Range	120dB
BLC	Yes
HLC	Yes
Defog	Yes
Digital NR	3D DNR
Angle Adjustment	Pan: 0°~360°; Tilt:0°~90°; Rotation: 0°~360°
<b>Image</b>	
Video Compression	Smart H.265 / H.265+ / H.265 / Smart H.264 /H.264+ / H.264 / MJPEG
H.264 Compression Standard	Baseline Profile/Main Profile/High Profile
Resolution	1080P ( 1920 × 1080 ) , 720P ( 1280 × 720 ) , D1, CIF, 480 × 240
Main Stream	60Hz:1080P/720P(1~30fps) ; 50Hz:1080P/720P (1~25fps) HFR Mode: 1080P/720P(1~60fps/50fps)
Sub Stream	60Hz : 720P/D1/CIF (1~30fps); 50Hz: 720P/D1/CIF (1~25fps)
Third Stream	60Hz : D1/CIF/480x240 (1~30fps); 50Hz: D1/CIF/480x240 (1~25fps)
Bit Rate	64 Kbps ~ 6 Mbps
Bit Rate Type	VBR / CBR
Image Settings	ROI, Saturation, Brightness, Chroma, Contrast,Wide Dynamic, Sharpen, NR,etc. adjustable through client software or web browser
Audio Compression	G711A/U
ROI	Each ROI to be configured separately
<b>Interfaces</b>	
Network	RJ45
Video Output	No
Audio	1CH audio input; 1CH audio output
Storage	Built-in micro SD card slot, up to 128GB
Hardware Reset	Yes
RS 485	No
Alarm	1CH alarm input; 1CH alarm output

<b>Functions</b>	
Remote Monitoring	Web browsing,CMS remote control
Online Connection	Support simultaneous monitoring for up to 10 users; Support multi-stream real time transmission
Network Protocol	UDP, IPv4, IPv6, DHCP, NTP, RTSP, PPPoE, DDNS, SMTP, FTP, SNMP, 802.1x, UPnP, HTTP, HTTPS, QoS
Interface Protocol	ONVIF
Storage	Network remote storage; micro SD card storage
Smart Alarm	Motion detection; Sensor alarm; SD card full; SD card error; IP address conflict; Network disconnection
Intelligent Analytics	License plate recognition, video abnormality detection (video tampering, scene change)
General Function	Watermark, IP address filtering, video mask, heartbeat, password protection, non-photosensitive switch, image distortion correction
PoE	Yes (802.3af)
IR Distance	50 ~ 70 m
Ingress Protection	IP67
<b>LPR</b>	
Snapshot	Overview and cutout of plate for picture
White List	10000
Capture Speed Range	0~70km/h
<b>Others</b>	
Power Supply	DC12V/PoE
Power Consumption	< 11W
Operating Environment	- 30 °C ~ 60 °C (-22°F~140°F) Humidity: less than 95 % (non-condensing)
Dimensions ( mm )	279.5 × 100.3 × 88.9
Weight ( net )	Approx. 1.1KG
Installation	Wall mounting; ceiling mounting

**DIMENSIONS**



**ORDERING INFORMATION**

AL-5001-MPC-HD2LPR

2MP Motorized LPR Detection Camera



\*Product specifications and availability are subject to change without notice.

