

# 2MP AI Long Range 50M Bullet Camera



## Alcon Sleek Full HD Long Range IR Bullet Camera

The Alcon AL-5001-MPC-HD2LM Fixed Lens IP Camera with IR Illuminator provides high resolution images for round-the-clock surveillance over IP networks. It supports up to S+265 compression formats and delivers excellent picture quality in Full-HD 1920x1080p@30fps resolutions. Furthermore, the IP67- rated housing protects against rain and dust and ensure stable operation under extreme weather conditions. IR-Cut filter and built-in IR illuminators support up to 50MTR IR distance. It supports Power-Over-Ethernet. It is an ideal solution for outdoor and indoor surveillance applications such as school, college, hospital, training center, restaurant, conference hall etc.

## Key features

- 1920x1080@30fps
- In-built Mic
- H.265+/H.265/H.264
- Minillumination Color: 0.02Lux@F2.0
- Smart IR, IR Range: 50m
- Support tripwire and perimeter
- POE & IP67
- Operating Conditions -35°-65°, 0~95% RH

## LATEST COMPRESSION H.265+ TECHNOLOGY

ALCON cameras and NVRS are coming with H.265+ can save approximate 80% bitrate than H.264 technology 100:20...80% less storage another new gen technology circuit making it extremely durable and best suitable for Industrial type installations.



### TRIPWIRE AND PERIMETER

Tripwire and Perimeter is a video analytics function that provides smart detection of events captured by a security camera that supports Tripwire and perimeter. It is a more effective way of monitoring and guarding an area of interest than simple motion detection. Alcon all camera series inbuilt tripwire and perimeter advance function.

### IN-BUILT MIC

Alcon all camera series is coming with in-built Mic Features. Most CCTV cameras OEM products are coming without this features .where as this feature will give both Audio and video recording will be added advantages for the end user instead of only video recording.

### DIGITAL NOISE REDUCTION

Digital Noise Reduction (DNR) is a method by which the cameras imager digitally removes noise from the image. 3D DNR is an advancement of this technology which enables noise to be filtered even more effectively from the image, even in low light conditions.

### HIGH LIGHT CONTROL

Alcon HLC function is designed to allow camera view vehicle license plate. HLC stands for Hight-light compensation, this technology is designed to optimize the brightness of images through using digital signal processing.

### SMART DEFOG

Alcon's Smart Defog image correction algorithm, improves the whole images visibility and clarity even in very foggy weather.

### PRIVACY MASKING

Privacy masking is a feature found in many IP cameras which is used to protect personal privacy by concealing parts of the image from view with a masked area. Examples of this use would be masking windows of domestic properties.

## Application



Hospital



School/ College



Office



Apartment



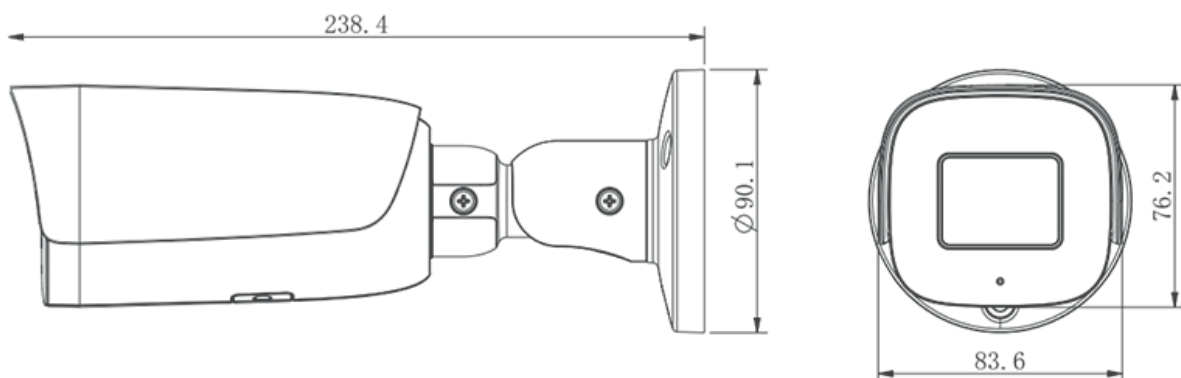
SPECIFICATION

Camera	AL-5001-MPC-HD2LM
Image Sensor	1/2.8" CMOS
Min. Illumination	Color:0.02Lux@(F2.0,AGC ON),B/W:0Lux with IR
Shutter Time	1s-1/100000s
Day&Night	IR-cut filter with auto switch (ICR)
WDR	DWDR
Angle Adjustment	0-360°;0-80°;0-360°
Lens	
Lens Type	Fixed
Focal Length	4mm
Lens Mount	M12
Aperture Range	F2.0,Fixed
Field of View	83.3°(H);46.8°(V);95.5°(D)
Illuminator	
IR LEDs	2
IR Distance	50m
Wavelength	850nm
Compression Standard	
Video Compression	S+265/H.265/H.264B/H.264M/H.264H
Video Bit Rate	32k-6Mbps
Audio Compression	G.711A/G.711U/ADPCM_D
Audio Sampling Rate	8kHz/32kHz/48kHz
Image	
Max. Resolution	1920x1080@30fps
Main Stream	PAL: 25fps(1920x1080,1280x720,640x480,704x576)
	NTSC: 30fps(1920x1080,1280x720,640x480,704x480)
Sub Stream	PAL:25fps(704x576,704x288,640x360,352x288)
	NTSC:30fps(704x480,704x240,640x360,352x240)
BLC	Yes
HLC	Yes
AGC	Yes
3D DNR	Yes
White Balance	Auto/Semi-auto/Manual/Sunny/Natural light/Warm light/Sodium lamp/Incandescent lamp/Locked white balance
ROI	8 regions
Privacy Mask	4 regions
Defog	Yes
Feature	
Alarm Trigger	Motion Detection;Mask Alarm;Disk Full;Disk R/W Error;IP Address Conflict
Linkage Method	trigger recording;trigger capture;notify surveillance center
Video Analytics	Tripwire;Perimeter
Rules of behavior analyse in 1 scene	2
Network	
Protocols	HTTP;HTTPS;TCP/IP;UDP;UPnP;ICMP;DHCP;DNS;DDNS;Easy DDNS;NTP;QoS;IPv4;SSH;Unicast;RTSP;FTP
System Compatibility	P2P(Mutually exclusive with Profile G);onvif Profile S/T/G;CGI;MIL STONE
Remote Connection	≤2
Client	Alcon Smart Surveillance
Moblie Client	Alcon View
Web	IE10+;Firefox52+;Edge89+;Safari11+;Chrome57+



<b>Interface</b>	
<b>Communication Interface</b>	1 RJ45 10M/ 100M self adaptive Ethernet port
<b>Built-In Mic</b>	Yes
<b>General</b>	
<b>Web Client Language</b>	15languages Simple English/Spanish/Korean/Italian/Turkish/Russian/Thai/French/Polish/Dutch/Hebrew/Arabic/Vietnamese/German/Ukrainian/Portuguese/Albanian
<b>Operating Temperature</b>	-30°C-60°C
<b>Operating Humidity</b>	0-95%
<b>Storage Temperature</b>	-30°C-60°C
<b>Storage Humidity</b>	0-95%(non-condensing)
<b>Power Supply</b>	DC12V±25%,MAX 6.5W;POE 802.3af,MAX 7W
<b>Protection</b>	Surge protection 2000V;Lightning proof 6000V;IP67
<b>Boundary Dimensions</b>	165(L)73(W)73(H)mm
<b>Package Dimensions</b>	215(L)95(W)120(H)mm
<b>Gross Weight</b>	0.47kg
<b>NetWeight</b>	0.32kg
<b>Certification</b>	FCC, CE, BIS & RoHS

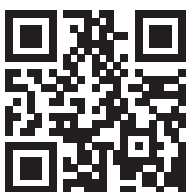
## DIMENSIONS



## ORDERING INFORMATION

AL-5001-MPC-HD2LM

2MP Long Range 50M Bullet Camera



\*Product specifications and availability are subject to change without notice.

