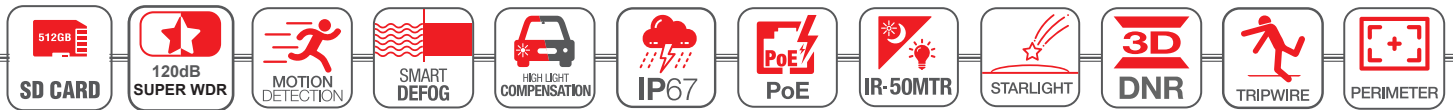
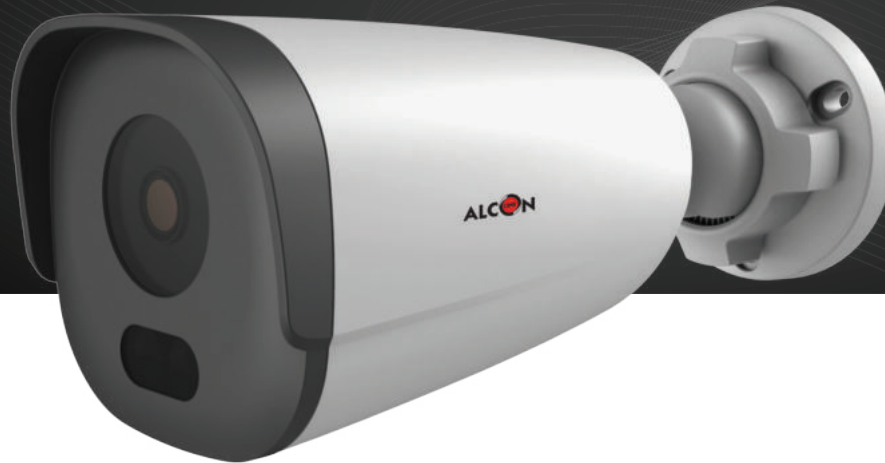


AL-5001-MPC-H2CMDK-S

# S+265 2MP STARLIGHT 50MIR BULLET CAMERA

Starlight, Smart IR 50M, Tripwire Perimeter, VCA & SD Card



## OVERVIEW

### Alcon Sleek 2MP Starlight IR Bullet Camera

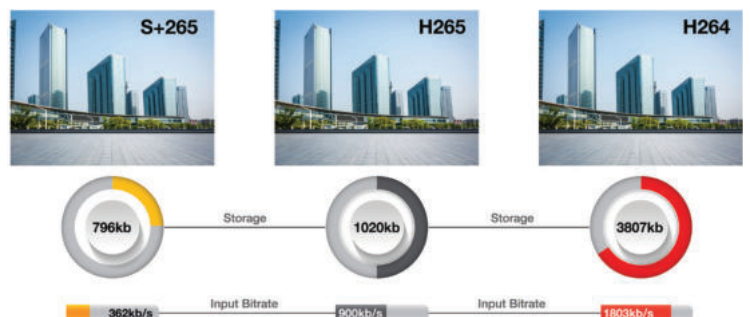
The Alcon AL-5001-MPC-H2CMDK-S Fixed Lens IP Camera with IR Illuminator provides high resolution images for round-the-clock surveillance over IP networks & color picture in dark conditions. It supports up to S+265 compression formats and delivers excellent picture quality in Full HD 1920x1080 resolutions. Furthermore, the IP67-rated housing protects against rain and dust and ensure stable operation under extreme weather conditions. IR-Cut filter and built-in IR illuminators support upto 50MTR IR distance.it support Power-Over-Ethernet. It is an ideal solution for outdoor and indoor surveillance applications such as school, college, hospital, training center, restaurant, conference hall etc.

## FEATURES

- 1920x1080, In-built Mic
- S+265/H.265/H.264
- Min. illumination Color: 0.002Lux@F1.6
- 120dB WDR
- Smart IR, IR Range: 50m
- Support tripwire and perimeter
- SD Card Slot, Upto 512 GB
- Operating Conditions -35°~65°, 0~95% RH
- POE, IP67.

## LATEST COMPRESSION S+265 TECHNOLOGY

ALCON cameras and NVRS are coming with S+265 can save approximate 80% bitrate than H.264 technology 100:20...80% less storage another new gen technology circuit making it extremely durable and best suitable for Industrial type installations.



S+265 can save approximate 50% bitrate than H.265 technology, saves 70%-80% bandwidth compared with H.264

## SUPER WDR 120dB

Commonly used D-WDR, which is a software-based technique to enhance image by adjusting the gamma value to enhance dark areas is responsible for image deterioration (i.e. the image being washed out). Alcon sensor-based WDR technology allows the camera to record greater scene details with true color reproduction even under the extreme back light and high contrast conditions. The ratio that the brightest light signal values divided by the darkest light signal values is up to Super WDR 120dB



## HIGH LIGHT CONTROL

Alcon HLC function is designed to allow camera view vehicle license plate. HLC stands for High-light compensation, this technology is designed to optimize the brightness of images through using digital signal processing.

## SMART DEFOG

Alcon's Smart Defog image correction algorithm, improves the whole images visibility and clarity even in very foggy weather.



## STARLIGHT TECHNOLOGY

ALCON starlight 0.002Lux (DARK KNIGHT) series is most advance product with low light scenario with Cristal clear and color picture on Night.

## DIGITAL NOISE REDUCTION

Digital Noise Reduction (DNR) is a method by which the camera's imager digitally removes noise from the image. 3D DNR is an advancement of this technology which enables noise to be filtered even more effectively from the image, even in low light conditions.



## TRIPWIRE AND PERIMETER

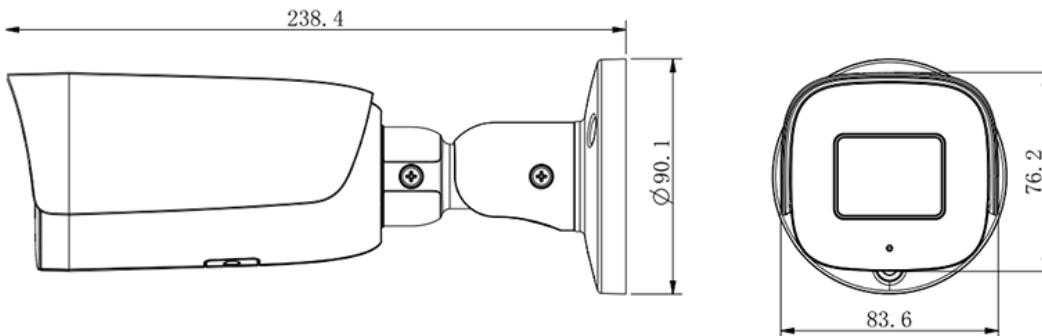
Tripwire and Perimeter is a video analytics function that provides smart detection of events captured by a security camera that supports Tripwire and perimeter. It is a more effective way of monitoring and guarding an area of interest than simple motion detection. Alcon all camera series inbuilt tripwire and perimeter advance function

## SPECIFICATION

MODEL		AL-5001-MPC-H2CMDK-S
Image Sensor	1/2.8" CMOS	
Signal System	PAL/NTSC	
Min. Illumination	Color: 0.002Lux@ (F1.6, ACG ON), B/W: 0Lux with IR	
Shutter Time	1s to 1/100,000s	
Day & Night	Dual IR Cut Filter with Auto Switch	
Wide Dynamic Range	120dB	
Angle Adjustment	Bracket, pan 0~360°, tilt 0~75°, rotate 0~360°	
LENS		
Lens Type	Fixed	
Focus	4mm	
Lens Mount	M12	
Aperture	F1.6, Fixed	
FOV	Horizontal field of view: 97.8° (2.8mm)/81° (4mm)	
ILLUMINATOR		
IR LEDs	2	
IR Range	Up to 50m	
Wavelength	850nm	
White LEDs/Warmlights	N/A	
COMPRESSION STANDARD		
Video Compression	S+265/H.265/H.264	
Video Bit Rate	32Kbps~6Mbps	
Audio Compression	G.711/G.711U/ADPCM	
Audio Bit Rate	8K~48Kbps	
IMAGE		
Max. Resolution	1920x1080P	
Main Stream	PAL: 25fps (1920x1080, 1280x720, 704x576, 640x480)	
	NTSC: 30fps (1920x1080, 1280x720, 704x480, 640x480)	
Sub Stream	PAL: 25fps (704x576, 704x288, 640x360, 352x288)	
	NTSC: 30fps (704x480, 704x240, 640x360, 352x240)	
Third Stream	N/A	
Image Setting	Saturation, brightness, contrast, sharpness, adjustable by client software or web browser	
Image Enhancement	BLC/3D DNR/HLC	
ROI	N/A	
OSD	16x16, 32x32, 48x48, 64x64, adaptable size, Letters Such as Week, Date, Time, Total 3 Regions	
Picture Overlay	N/A	
Privacy Mask	Yes, 4 regions	
Smart Defog	Yes	

FEATURE		
Alarm Trigger	Motion Detection, Mask Alarm, IP Address Conflict	
Video Analytics	Tripwire, Perimeter	
Early Warning(EW)	N/A	
NETWORK		
ANR	Yes, auto store video in SD card when NVR disconnected, and upload video to NVR when resumed connection (Only Support Alcon ANR NVR)	
Protocols	TCP/IP, HTTP, FTP, DHCP, DNS, DDNS, MULTICAST, IPv4, NTP, UDP, Telnet	
System Compatibility	ONVIF(Profiles/T/G), SDK, CGI (IE), P2P(Mutually exclusive with Profile G)	
Remote Connection	≤7	
Client	Alcon Smart Surveillance, EasyLive	
Web Version	Web5	
INTERFACE		
Communication Interface	1 RJ45 10M/ 100M self adaptive Ethernet port	
Audio I/O	Mic in	
Alarm I/O	N/A	
Reset Button	N/A	
On-board storage	Built-in-Mic, Sd card Slot, Up to 512 GB	
GENERAL		
Web Client Language	15 languages English, Russian, Spanish, Korean, Italian, Turkish, Simple Chinese, Traditional Chinese, Thai, French, Polish, Dutch, Hebrew, Arabic, Vietnamese	
Operating Conditions	-35C°~65C°, 0~95% RH	
Power Supply	PoE (802.3af)	
Power Consumption	MAX:7W (PoE)	
Protection	IP67,	
Heater	N/A	
Dimensions	160.8x68x74.5mm (6.33x2.68x2.93inch)	
Weight	0.35Kg (0.77lb)	
Certification	BIS, CE & FCC	

## DIMENSIONS



## ORDERING INFORMATION

AL-5001-MPC-H2CMDK-S

S+265 2MP Starlight 50M IR Bullet Camera



\*Product specifications and availability are subject to change without notice.

